



**RC8B
TEB1
TEAM KIT**

**RC8B
TEB1e
TEAM KIT**

#80937 RC8T3.1 Team Kit
#80938 RC8T3.1e Team Kit



1:8 Scale Nitro & Electric 4WD Off Road Truggy Kit Manual & Catalog

TEAM ASSOCIATED



Designed in California, USA

:: Introduction

Thank you for purchasing this Team Associated product. This assembly manual contains instructions and tips for building and maintaining your new RC8T3.1/RC8T3.1e Kit. Please take a moment to read through this manual to help familiarize yourself with these steps. We are continually changing and improving our designs; therefore, actual parts may appear slightly different than in the illustrations. New parts will be noted on supplementary sheets located in the appropriate parts bags. Check each bag for these sheets before you start to build.

:: RC8T3.1 / RC8T3.1e KIT Features

- New V3 differentials offer increased fluid capacity and more consistent feel lap after lap.
- CVA driveshafts increase traction and chassis support.
- Suspension arms have been updated to race specs.
- All suspension arm pivots have been revised for more ground clearance resulting in better jumping and landing while also improving durability.
- 16mm Big Bore 6061 aluminum shock bodies and bleeder style caps.
- 20mm I.D. shock springs for optimal spring rates.
- +2mm steering block arms included for a smooth and precise steering feel.
- Highly efficient drivetrain utilizes straight cut bevel gears to provide great acceleration and run-time.
- Improved servo saver assembly.
- Hard-anodized 7075 aluminum chassis with keyed lower suspension plates.
- Proline® "Predator" body included.
- Enclosed receiver box .
- Full Factory Team rubber-sealed ball bearings.
- Easily accessible front and rear differentials.
- 90% parts compatibility with other RC8B3.1/RC8T3.1 models, offering the perfect solution for multi-class racers.

RC8T3.1 Specific Features:

- New 4-shoe clutch provides precise power transfer and is easy to maintain.
Optional clutch spring rates and clutchbells allows custom tuning for varying grip levels.

RC8T3.1e Specific Features:

- Two-piece sliding motor mount for easy gear mesh adjustment and motor removal.

:: Additional

Your new R/C vehicle comes as a kit. There are some items you will need to complete your kit (refer to catalog for suggestions):

- 2 channel radio/transmitter set with switch (FM/PCM/2.4GHz recommended)
- Steering / Throttle servos (#27100, 27101, 27106, 27107 recommended)
- 1/8th scale Truggy tires
- Needle nose pliers
- Hobby knife
- Polycarbonate specific spray paint or polycarbonate specific bottled paint and airbrush
- Transmitter batteries (#302)
- CA (Cyanoacrylic) glue (#1597)
- Thread locking compound (#1596)
- Shock shaft pliers (#1675)
- Tire Balancer (#1498)
- Reamer/hole punch
- Ride height gauge (#1449)

RC8T3.1 Specific Items:

- .21 class rear exhaust engine • Muffler & manifold spring (#27313, 27315)
- 4.8-7.4v receiver battery pack - (LiPo - flat style [#304, 315, 27313], LiFe - flat style [#305, 27315], NiMH - flat style [#613])
- Fuel bottle (#1747)
- Glow igniter (#1738)
- Model car fuel (30% nitro recommended)
- Starter box (#1751)

RC8T3.1e Specific Items:

- 14.8v LiPo battery pack (#325, 756, 757, 27312 recommended)
- 1/8 scale specific electronic speed control (#27007, 27008)
- 1/8 scale specific electric motor (#905, 27407)
- Quick charger (#616, 27200 recommended)

:: Other Helpful Items

- Silicone Shock/Diff Fluids (Refer to catalog for complete listings)
- FT Turnbuckle Wrench (AE #89240)
- FT Hex Wrenches (AE #1519, 1655)
- FT Nut Drivers (AE #1663-1668)
- Soldering Iron
- Calipers or Precision Ruler
- Green Slime shock lube (AE #1105)
- Body Scissors (AE #1737)
- Wire Cutters
- T Handle Ratchet Driver (AE #1679)

Associated Electrics, Inc.
26021 Commercentre Dr.
Lake Forest, CA 92630



Customer Service
Tel: 949.544.7500
Fax: 949.544.7501

:: Hardware - 1:1 Scale View

Flat Head (fhcs)

	2.5x6mm (4675)
	2.5x8mm (31448)
	3x6mm (31541)
	3x8mm (25201) Titanium (91592)
	3x10mm (25202) Titanium (91593)
	3x12mm (25203) Titanium (91594)
	3x14mm (89208) Titanium (91595)
	4x10mm (81262)
	4x12mm (89214)
	4x14mm (89217)
	4x16mm (81263)
	4x20mm (81264)

Button Head (bhcs)

	2.5x6mm (31520)
	2.5x8mm (31521)
	2.5x18mm (81259)
	3x6mm (31531) Titanium (91580)
	3x10mm (25211)
	3x14mm (25187) Titanium (91584)
	3x16mm (89203) Titanium (91585)
	3x20mm (25188)
	3x24mm (89204) Titanium (91589)
	4x10mm (89206)
	4x14mm (81260)
	4x16mm (81261)

Set Screws

	3x3mm (25225)
	3x6mm (81257)
	3x10mm (4671)
	3x12mm (81258)
	4x4mm (7732)
	5x4mm (89221)

Ball Bearings

	5x8x2.5mm (89161)
	5x10x4mm (91560)
	6x10x3mm (31404)
	6x12x4mm (91561)
	8x16x5mm (91564)
	8x16x5mm flanged (91565)
	15x21x4mm (91566)

Shims

Differential Shim Set (81381)

	3.5x12x0.12mm
	6x8x0.20mm
	13.5x15.8x0.20mm
	13.5x15.8x0.10mm
	5.5x1.0mm (31382)

Socket Head (shcs)

	2x5mm (31511)
	2x16mm (7184)
	3x8mm (89223)
	3x10mm (25620)
	3x24mm (89225)

Nuts (lock/plain)

	M3 Nut (91477)
	M3 Alum. Locknut, Blue (31550)
	M3 Locknut, Black (25215)
	M3 Locknut w/Flange (25612)
	FT 3mm Locknuts, Blue(25392)
	M4 Locknut (89216)
	M4 Locknut Knurled w/Flange (91148)
	FT M4 Locknut, Blue (31551)
	M4 Locknut, Serrated (91738)

:: Table of Contents

1..... Cover	20..... RC8T3.1 e Radio Tray Build (10.1, 10.2)
2..... Introduction	21..... RC8T3.1 e Receiver Box / Linkage Build (Bag 11.1, 11.2)
3..... 1:1 Hardware "Fold Out"	22 - 23..... RC8T3.1 Center Bulkhead / Brakes (Bag 7.2, 7.2)
4..... Table of Contents	23 - 25..... RC8T3.1 Radio Tray Build (Bag 10.1, 10.2)
5 - 7..... Differentials Build (Bag 1.1, 1.2)	26 - 27..... RC8T3.1 Servo / Linkage Build (Bag 11.1, 11.2)
7 - 8..... Steering / Chassis Build (Bag 2.1, 2.2)	27 - 30..... Engine / Tank Build (Bag 12.1, 12.2)
9 - 10..... Front Gearbox Build (Bag 3.1, 3.2)	31..... Wheels / Tires / Body (Misc)
11 - 12..... Front Uprights Build (Bag 4.1, 4.2)	32..... Droop Settings
12 - 14..... Rear Gearbox Build (Bag 5.1, 5.2)	33 - 45..... Catalog
15 - 16..... Rear Uprights / Turnbuckles Build (5.2, 6.1)	46 - 47..... RC8T3.1 e Setup Sheets
16 - 17..... RC8T3.1 e Center Bulkhead / Brakes Build (Bag 7.1, 7.2)	48 - 49..... RC8T3.1 Setup Sheets
17 - 18 Anti-Roll Bars Build (8.1)	50..... Back Cover
18 - 19..... Shocks Build (Bag 9.1)	

:: Notes

This symbol indicates a special note or instruction in the manual.



This symbol indicates a Racers Tip.



There is a 1:1 hardware foldout page in the front of the manual. To check the size of a part, line up your hardware with the correct drawing until you find the exact size. Each part in the foldout has a number assigned to it for ordering replacement parts.

**Associated Electrics, Inc.
26021 Commercentre Dr.
Lake Forest, CA 92630**



**Customer Service
Tel: 949.544.7500
Fax: 949.544.7501**

:: Differential Build (Front and Rear) - Bag 1.1, 1.2 - Step 1

#6588 black grease

81379
Diff Case

81385
Outdrive O-Ring
5.8x1.9mm

91564
8x16x5 Bearing

81381
Diff Shim
6x8x0.20mm

#6588 black grease

81012
17mm Outdrive,
Front Diff

81008
15mm Outdrive,
Rear Diff

81380
Pin
2.5x12mm

81380
HTC Diff Sun Gear,
20T

Align pin with groove in sun gear

:: Differential Build (Front and Rear) - Bag 1.1, 1.2 - Step 2

81381 x4
Diff Shim
3.5x11x0.12mm

81380 x4
HTC Diff Planet Gear, 10T

81380 x2
Diff Crosspin

Racer's Tip:
You can use #81385 Planet O-Ring between the Planet Gears and the Diff Shims as a tuning option. Do Not install 3.3x1.5mm Planet O-Ring for kit setup.

:: Differential Build (Front and Rear) - Bag 1.1, 1.2 - Step 3

#6588 black grease

81014
Diff Ring Gear, 46T

81385
Outdrive O-Ring
5.8x1.9mm

91564
8x16x5 Bearing

81381
Diff Shim
6x8x0.20mm

#6588 black grease

81012
17mm Outdrive,
Front Diff

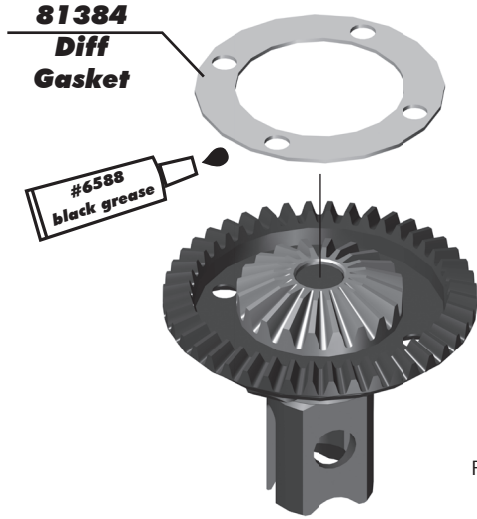
81008
15mm Outdrive,
Rear Diff

81380
Pin
2.5x12mm

81380
HTC Diff Sun Gear,
20T

Align pin with groove in sun gear

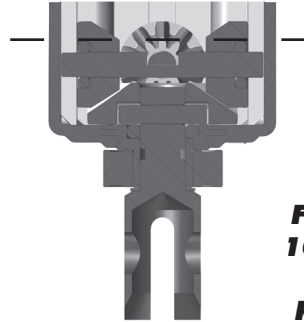
:: Differential Build (Front and Rear) - Bag 1.1, 1.2 - Step 4



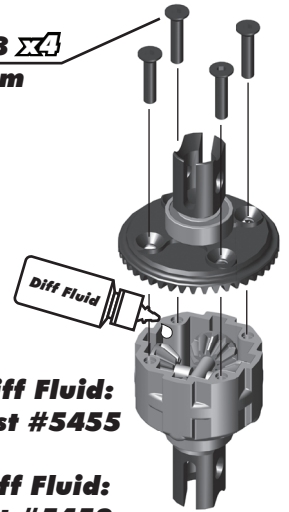
Racer's Tip:
Use black grease (#6588) to coat the Diff Gasket before installation!



Racer's Tip:
Fill diff above the cross pins, below the planet gears as shown.



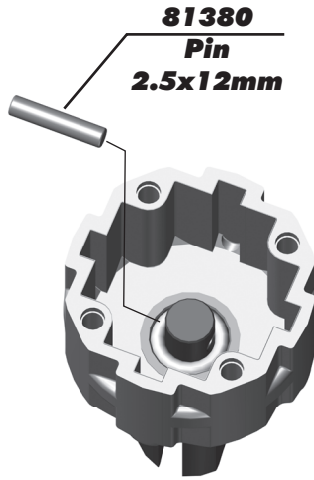
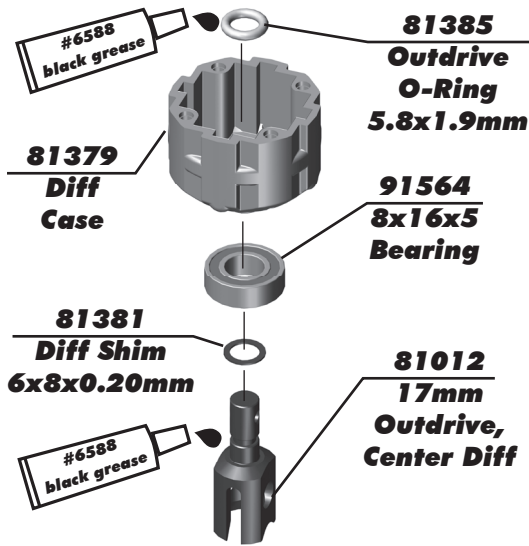
89208 $\Sigma 4$
3x14mm FHCS



Front Diff Fluid:
10,000cst #5455

Rear Diff Fluid:
5,000cst #5453

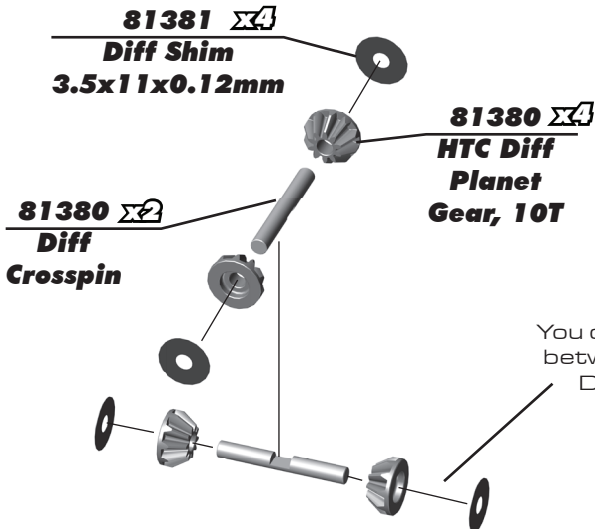
:: Differential Build (Center) - Bag 1.1, 1.2 - Step 5



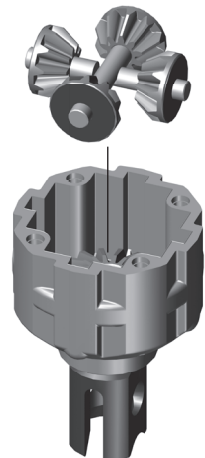
Align pin with groove in sun gear



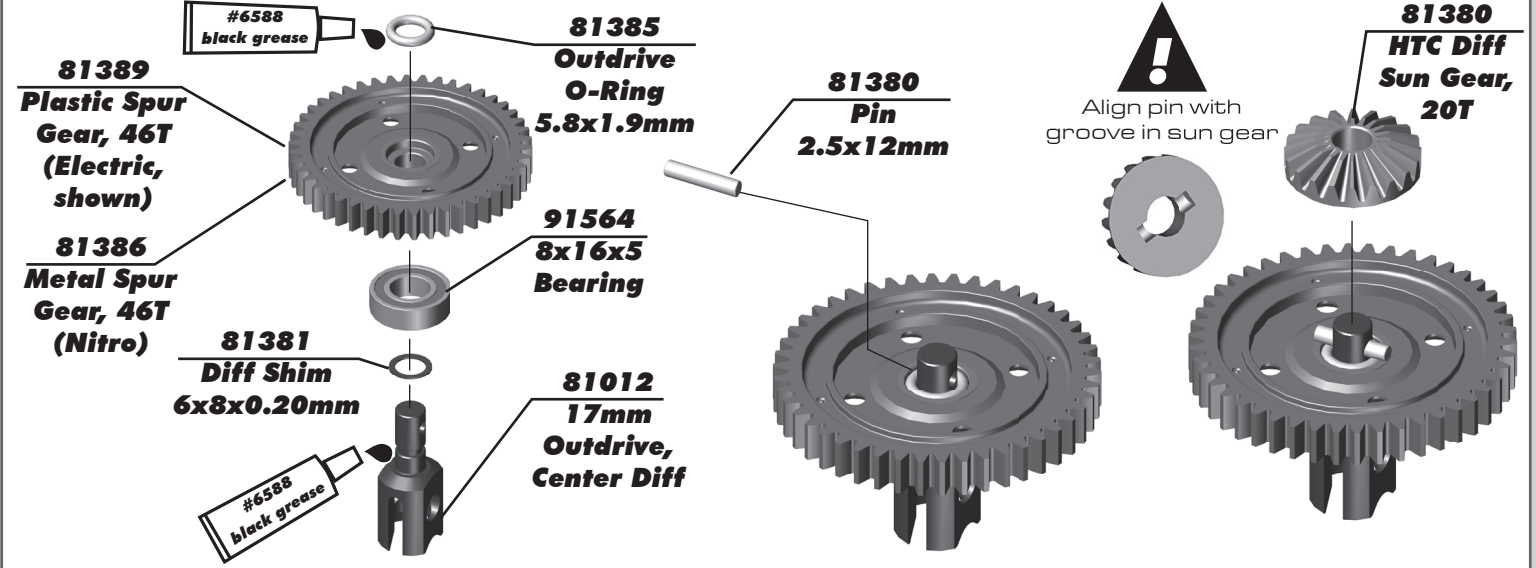
:: Differential Build (Center) - Bag 1.1, 1.2 - Step 6



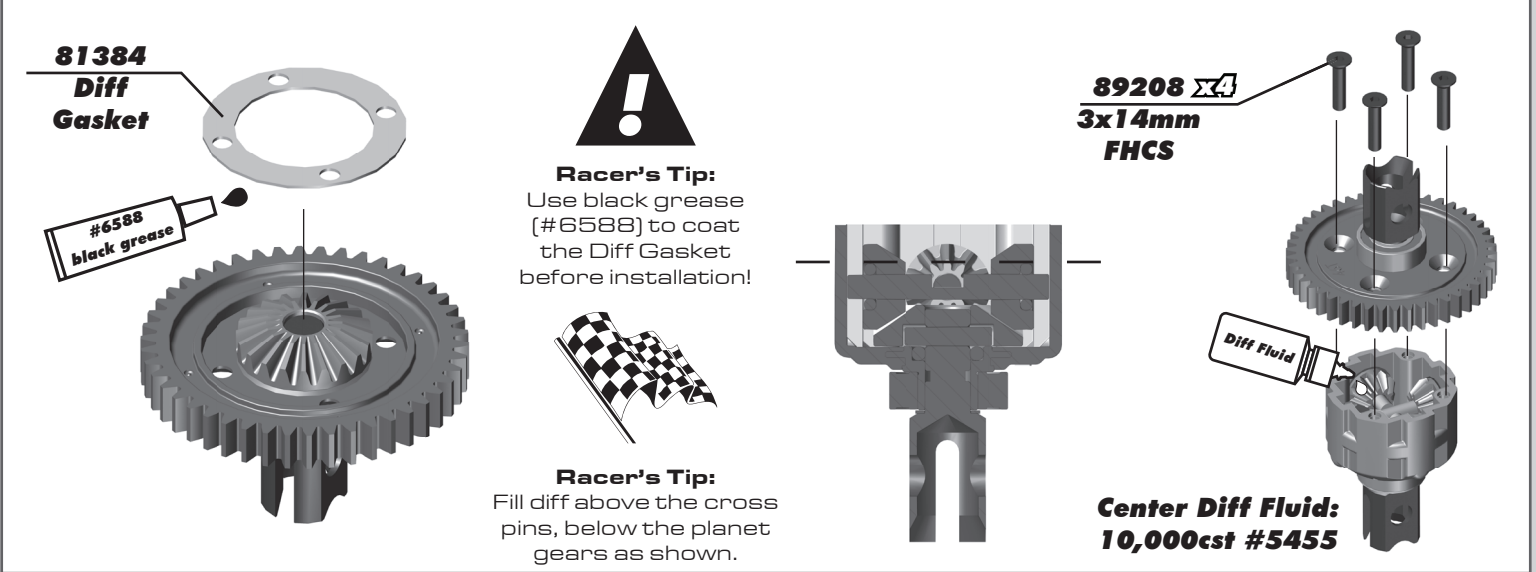
Racer's Tip:
You can use #81385 Planet O-Ring between the Planet Gears and the Diff Shims as a tuning option.



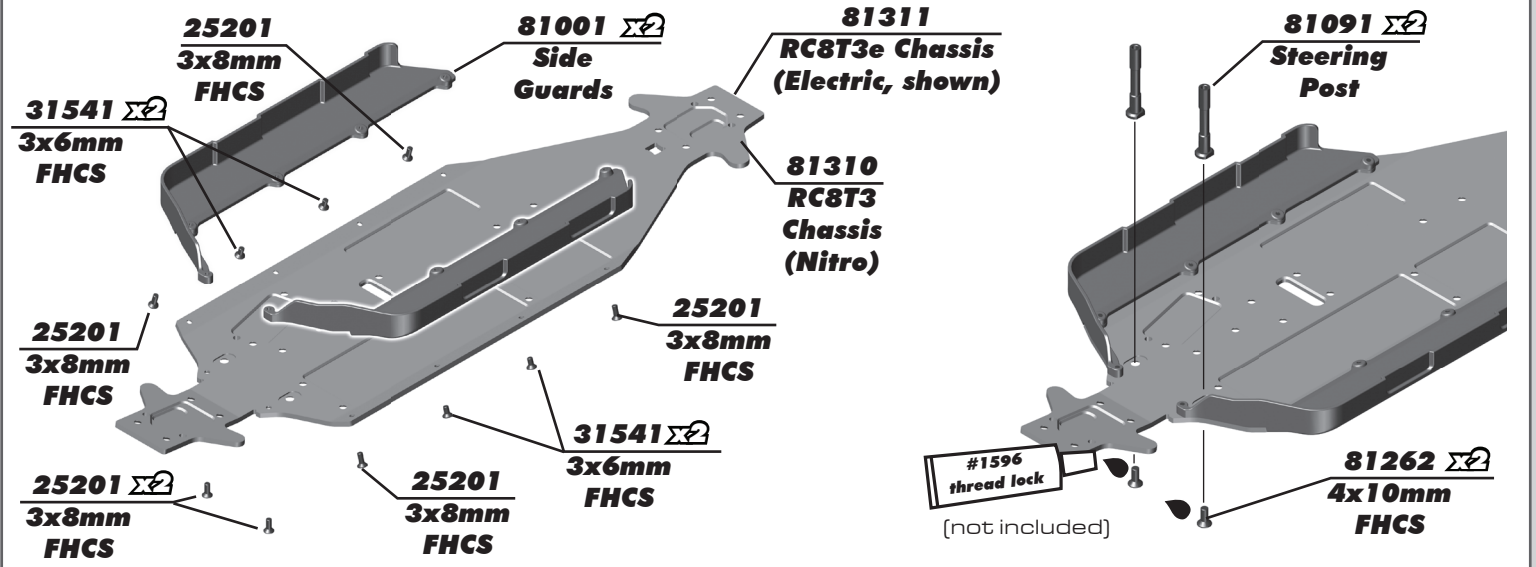
:: Differential Build (Center) - Bag 1.1, 1.2 - Step 7



:: Differential Build (Center) - Bag 1.1, 1.2 - Step 8



:: Steering / Chassis Build - Bag 2.1, 2.2 - Step 1



:: Steering / Chassis Build - Bag 2.1, 2.2 - Step 2

Racer's Tip:
Use black grease (#6588) to lube the bellcrank halves before installation!

81084
Servo Saver Tube

81083
Servo Saver Spring

81084 x2
Servo Saver Tube Shim

81086
Steering Bellcrank

81086
Steering Bellcrank

81084
Servo Saver Tube Spring Nut & O-Ring

1.5mm

:: Steering / Chassis Build - Bag 2.1, 2.2 - Step 3

31404 x4
6x10x3mm Bearing

89161 x4
5x8x2.5mm Bearing

81086
Steering Bellcrank

81089
Steering Rack

81093 x2
Turnbuckle Ball, 4mm

25211 x2
3x10mm BHCS

#1596
thread lock
(not included)

Kit Setup:
1
2
3
4
5

:: Steering / Chassis Build - Bag 2.1, 2.2 - Step 4

81088 x2
Steering Bellcrank Nut

25201 x2
3x8mm FHCS

#1596
thread lock
(not included)

:: Front Gearbox Build - Bag 3.1, 3.2 - Step 1

Racer's Tip:
Use black grease (#6588) to lube the Diff Pinion gear before installation!

81015 Gearbox, (Inboard)

91561 Σ 2
6x12x4mm FT Bearing

81007 Diff Pinion Gear, 10T, V2

#6588 black grease

81015 Dust Cap

4675 2.5x6mm FHCS

81020 Center Universal, (76mm)

#1596 thread lock

89221 5x4mm Set Screw

:: Front Gearbox Build - Bag 3.1, 3.2 - Step 2

NOTE:
Install the FRONT Diff!

81381 Diff Shim 13.5x15.8x0.20mm

STEP 1

81015 Gearbox, (Outboard)

25620 Σ 2
3x10mm SHCS

81015 Anti-Roll Bar Cap

81259 2.5x18mm BHCS

#6588 black grease

STEP 2

Step 1:
Add shims on this side to **TIGHTEN** gear mesh.
Subtract shims on this side to **LOOSEN** gear mesh.

Step 2:
Add or subtract shims here to finalize diff side to side play once gear mesh is set from Step 1.
Recommended diff side to side clearance (gearbox assembly) 0.10 - 0.25mm.

Notes:
0.1 mm shim can be used for fine tuning of gear mesh

:: Front Gearbox Build - Bag 3.1, 3.2 - Step 3

Kit Setup:

81292 RC8B3.1 Arm Mount (B), HRC

81050 Σ 2
Arm Mount Insert, Center

81260 Σ 2
4x14mm BHCS

81316 Front Arm Shim, 1mm

81316 RC8T3 Front Arm, Lower


89317 Droop Screw

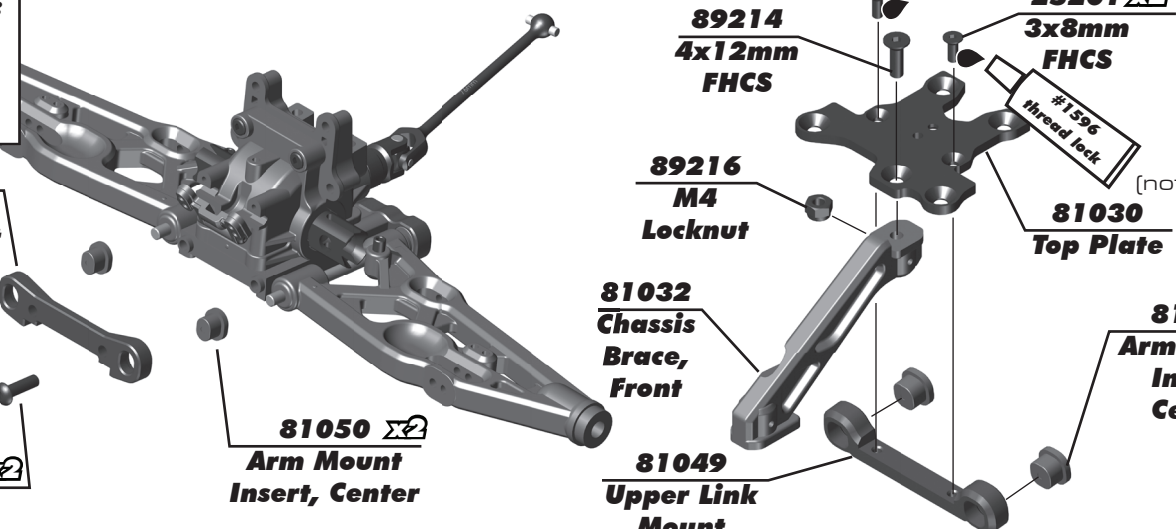
81060 Hinge Pin

Note that each arm is marked with a R for the Right Arm or an L for the Left Arm.


:: Front Gearbox Build - Bag 3.1, 3.2 - Step 4

Kit Setup:





Kit Setup:



81291
RC8B3.1
Arm Mount
(A), HRC

81260 Σ 2
4x14mm
BHCS

81050 Σ 2
Arm Mount
Insert, Center

81032
Chassis
Brace,
Front

81049
Upper Link
Mount

89214
4x12mm
FHCS

89216
M4
Locknut

25201 Σ 2
3x8mm
FHCS


#1596
Thread Lock
(not included)

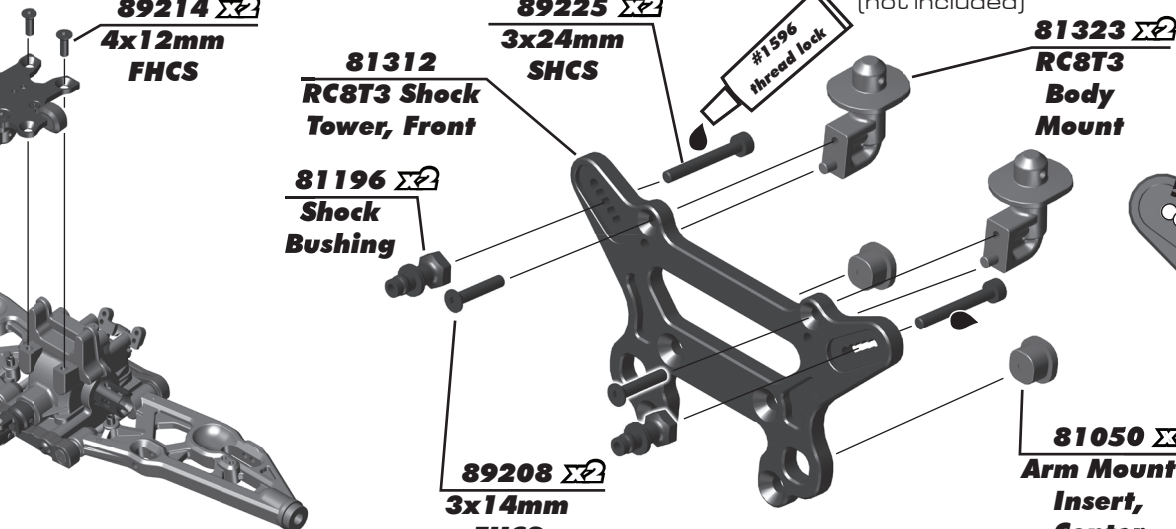
81030
Top Plate

81050 Σ 2
Arm Mount
Insert,
Center


:: Front Gearbox Build - Bag 3.1, 3.2 - Step 5

Kit Setup:





Kit Setup:



89214 Σ 2
4x12mm
FHCS

81196 Σ 2
Shock
Bushing

81312
RC8T3 Shock
Tower, Front

89225 Σ 2
3x24mm
SHCS

#1596
Thread Lock
(not included)


89208 Σ 2
3x14mm
FHCS

81323 Σ 2
RC8T3
Body
Mount

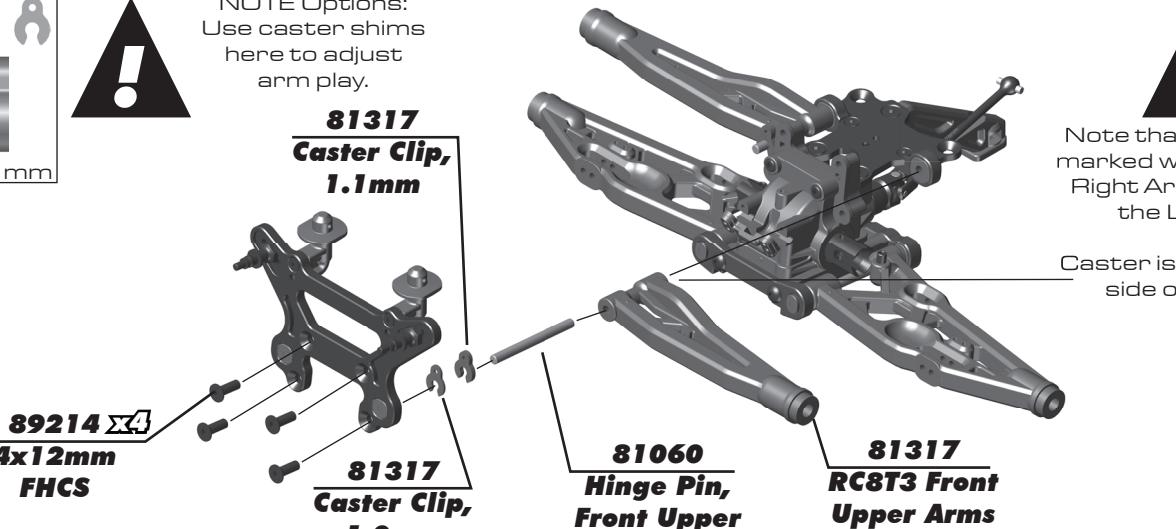
81050 Σ 2
Arm Mount
Insert,
Center

:: Front Gearbox Build - Bag 3.1, 3.2 - Step 6

Caster Clips



1.0mm 1.1mm



NOTE Options:
Use caster shims
here to adjust
arm play.

81317
Caster Clip,
1.1mm

81317
Caster Clip,
1.0mm

81060
Hinge Pin,
Front Upper

81317
RC8T3 Front
Upper Arms

Note that each arm is marked with a R for the Right Arm or an L for the Left Arm.

Caster is set from this side of the arm.

:: Front Uprights Build - Bag 4.1, 4.2 - Step 1

81331 CVA Drive Shaft (133mm)

81328 CVA Coupler Pin

#6588 black grease

81328 CVA Coupler

91566 15x21x4mm Bearing

25225 3x3mm Set Screw

81326 CVA Axle, Steel

81065 Steering Block

91565 8x16x5mm Bearing, Flanged

89096 Wheel Hex Pin

81319 Hex Drive Clamp

81319 Hex Drive, 17mm, (Blue)

#1596 thread lock (not included)

89221 5x4mm Set Screw

Clamp

Clamp

Slide the Hex Drive Clamp **PAST** the groove on the 17mm Hex Drive. Then install onto the Universal Drive Shaft.

Once the Wheel Hex Pin and 5x4mm Set Screw has been installed, slide the Hex Drive Clamp **IN** the groove on the 17mm Hex Drive.

:: Front Uprights Build - Bag 4.1, 4.2 - Step 2

81067 $\Sigma 2$ Pillow Ball, Steel

25211 3x10mm BHCS

25202 $\Sigma 2$ 3x10mm FHCS

#1596 thread lock (not included)

81063 Steering Block Arm (+2 degree)

81070 $\Sigma 2$ Pillow Ball Nut, Blue Aluminum

81093 Turnbuckle Ball, 4mm

81065 $\Sigma 2$ Pillow Ball Cap

Tighten pillow ball nut (#81070) until pillow ball (#81067) begins to bind, then loosen until pillow ball moves freely.

:: Front Uprights Build - Bag 4.1, 4.2 - Step 3

81072 Pillow Ball Shim (0.35mm)

81072 Pillow Ball Shim (0.70mm)

81072 Pillow Ball Shim (1.4mm)

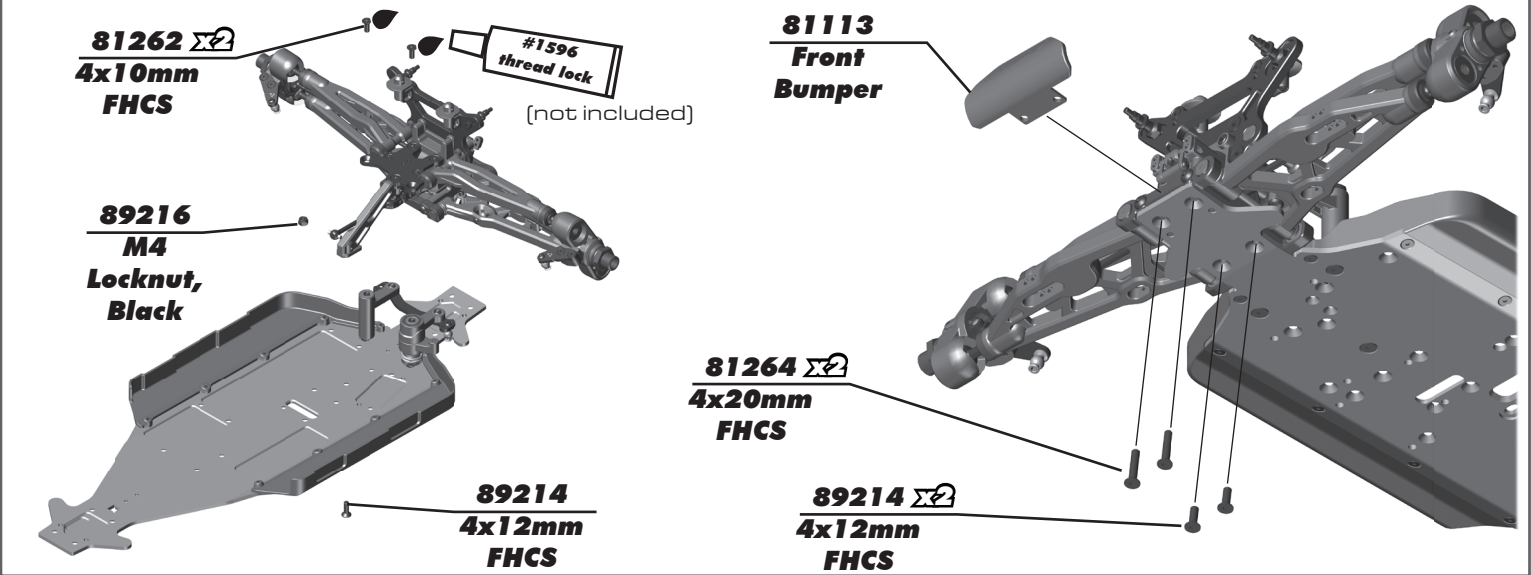
81056 $\Sigma 2$ Suspension Arm Endcap

Pillow Ball Shims

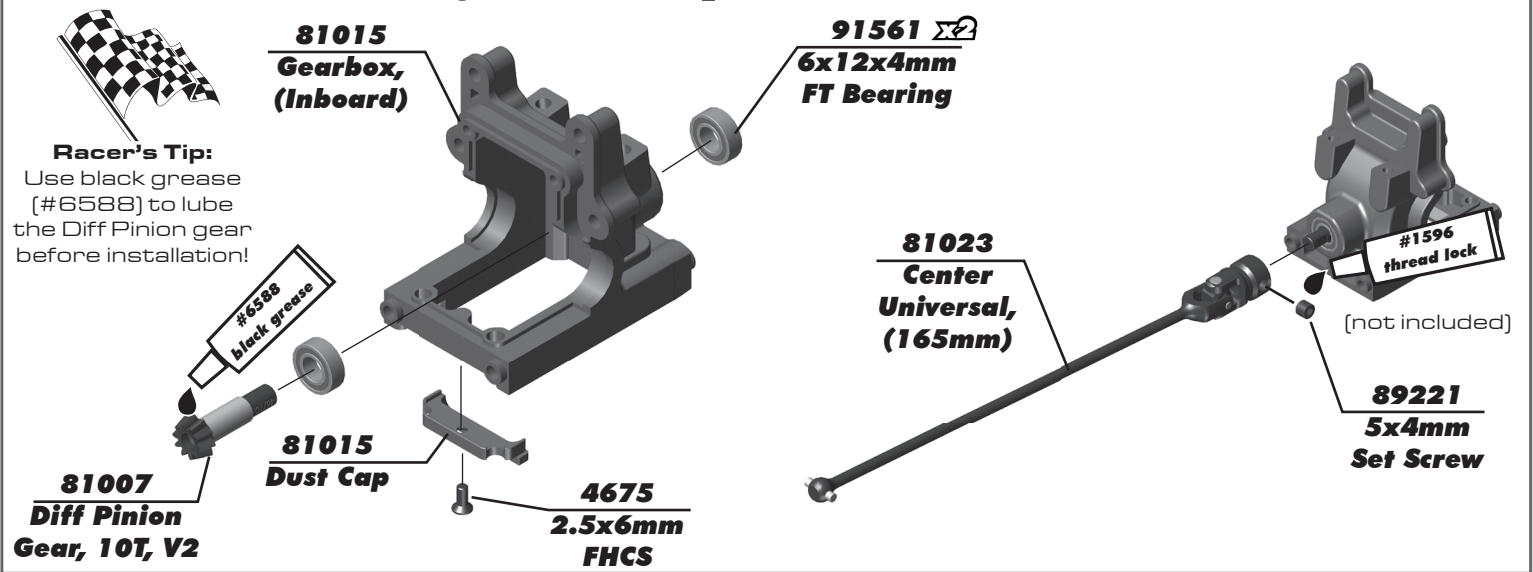
0.35mm 0.70mm 1.40mm

Use Pillow Ball Shims (#81072) to adjust camber.

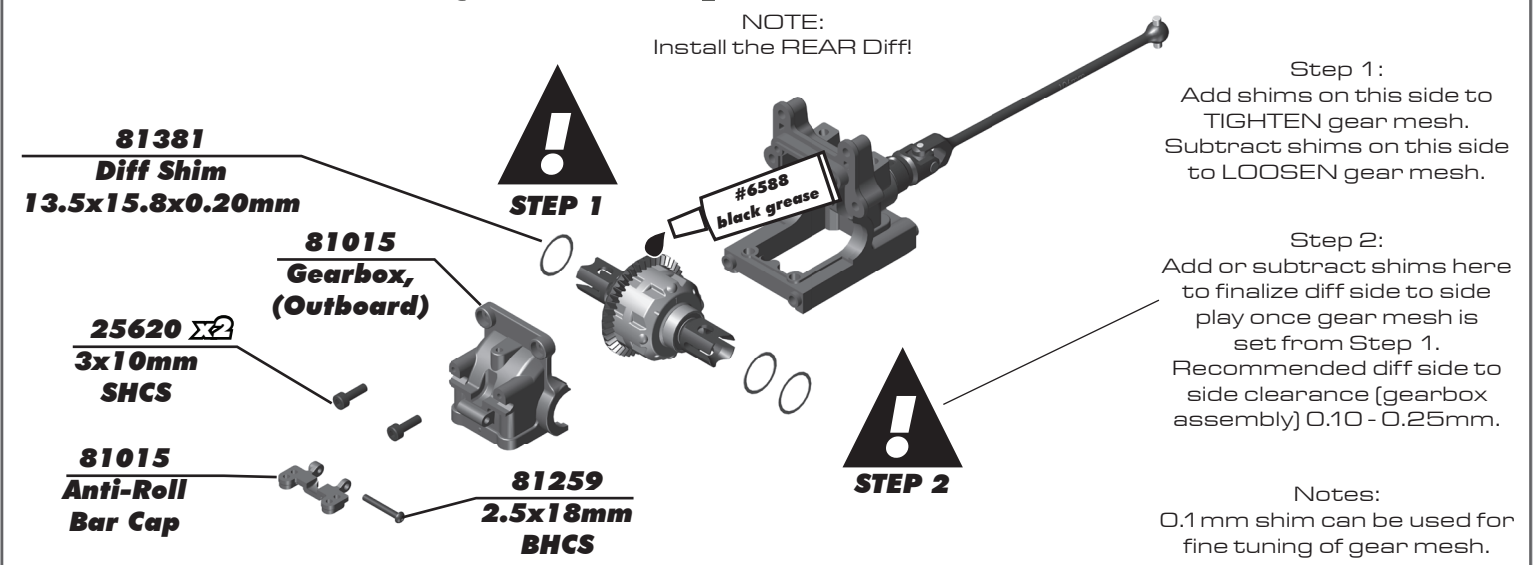
:: Front Uprights Build - Bag 4.1, 4.2 - Step 4



:: Rear Gearbox Build - Bag 5.1, 5.2 - Step 1

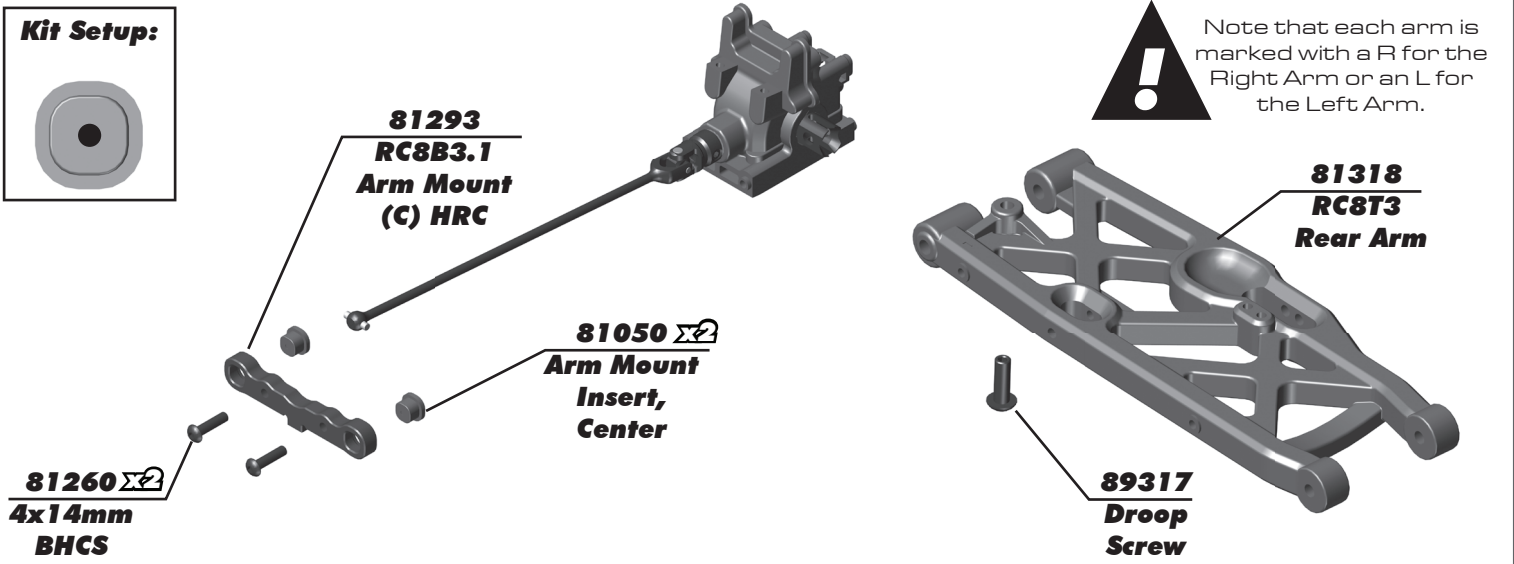
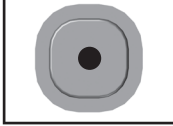


:: Rear Gearbox Build - Bag 5.1, 5.2 - Step 2



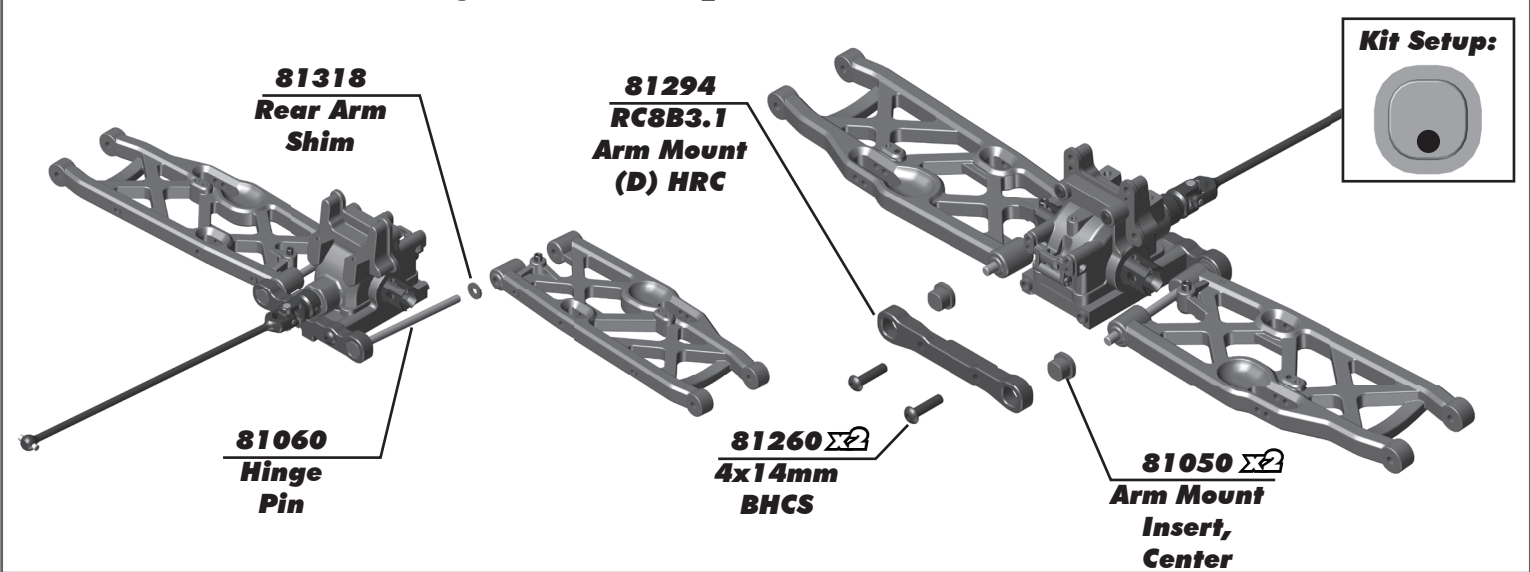
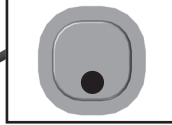
:: Rear Gearbox Build - Bag 5.1, 5.2 - Step 3

Kit Setup:

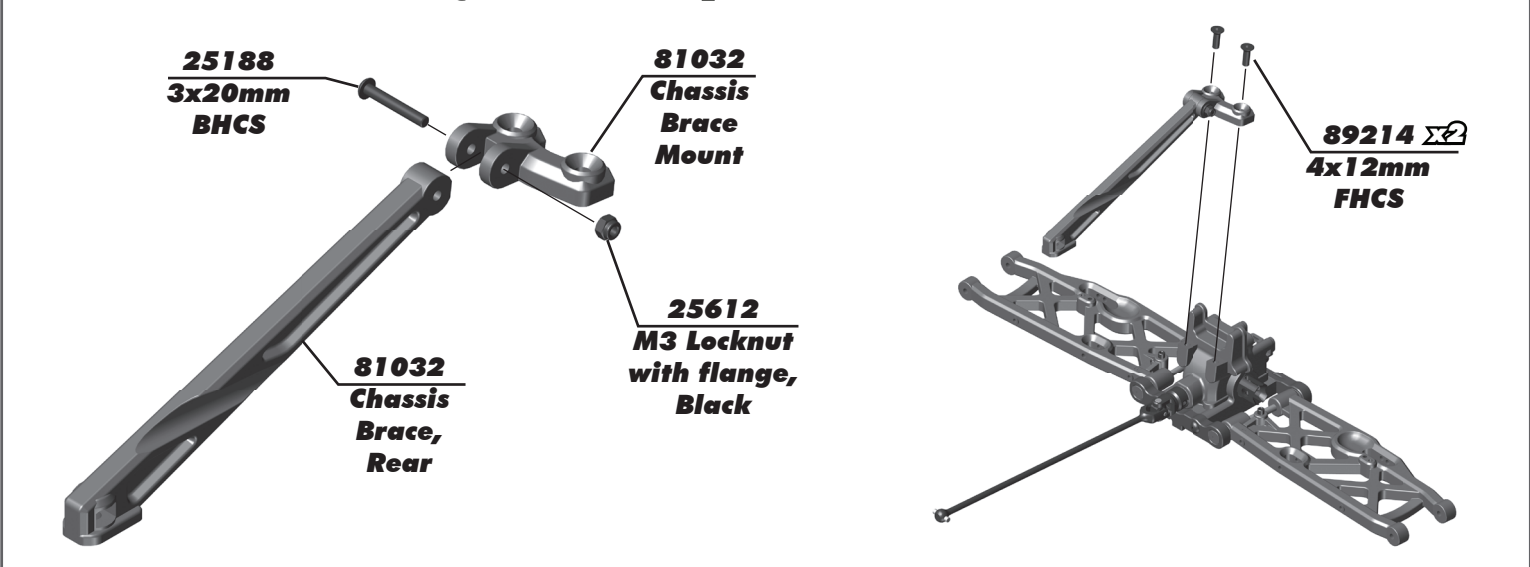


:: Rear Gearbox Build - Bag 5.1, 5.2 - Step 4

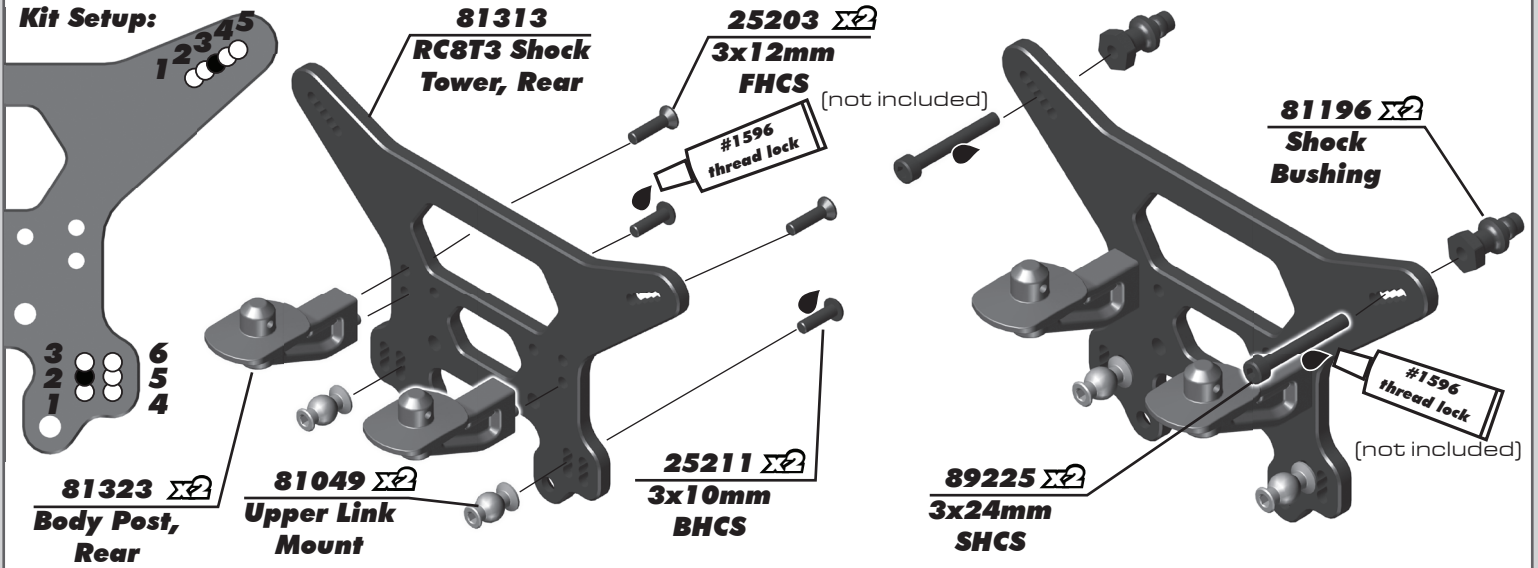
Kit Setup:



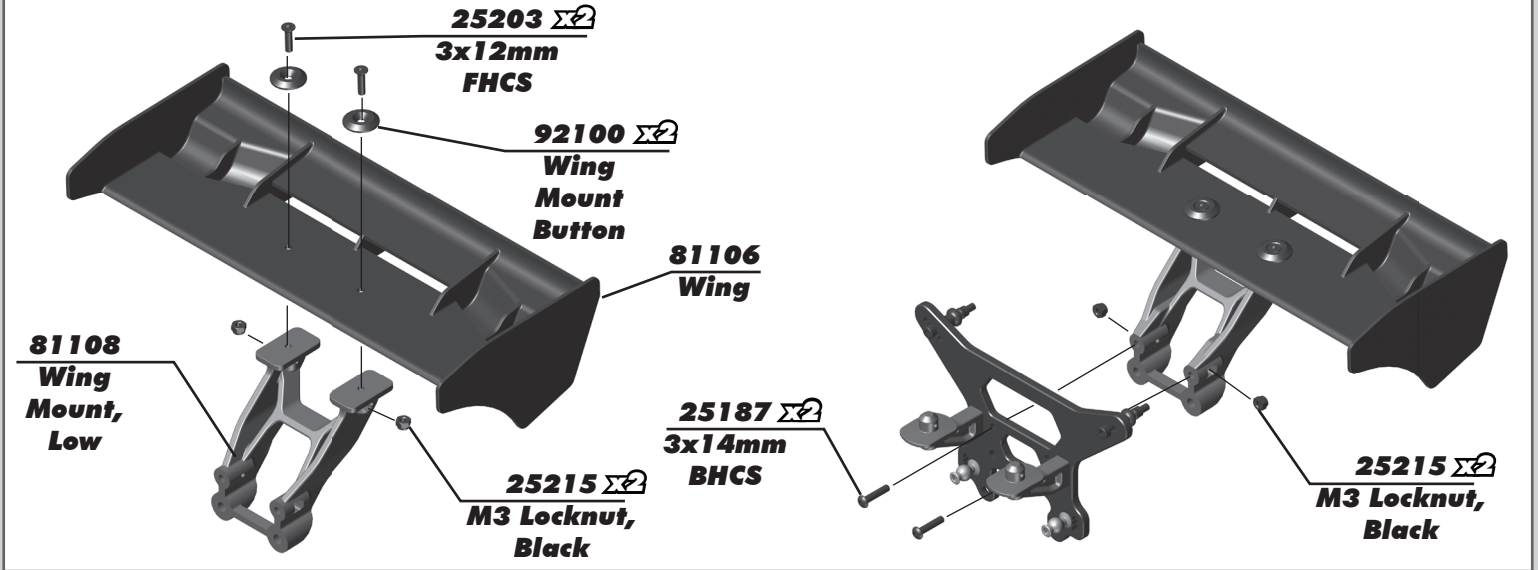
:: Rear Gearbox Build - Bag 5.1, 5.2 - Step 5



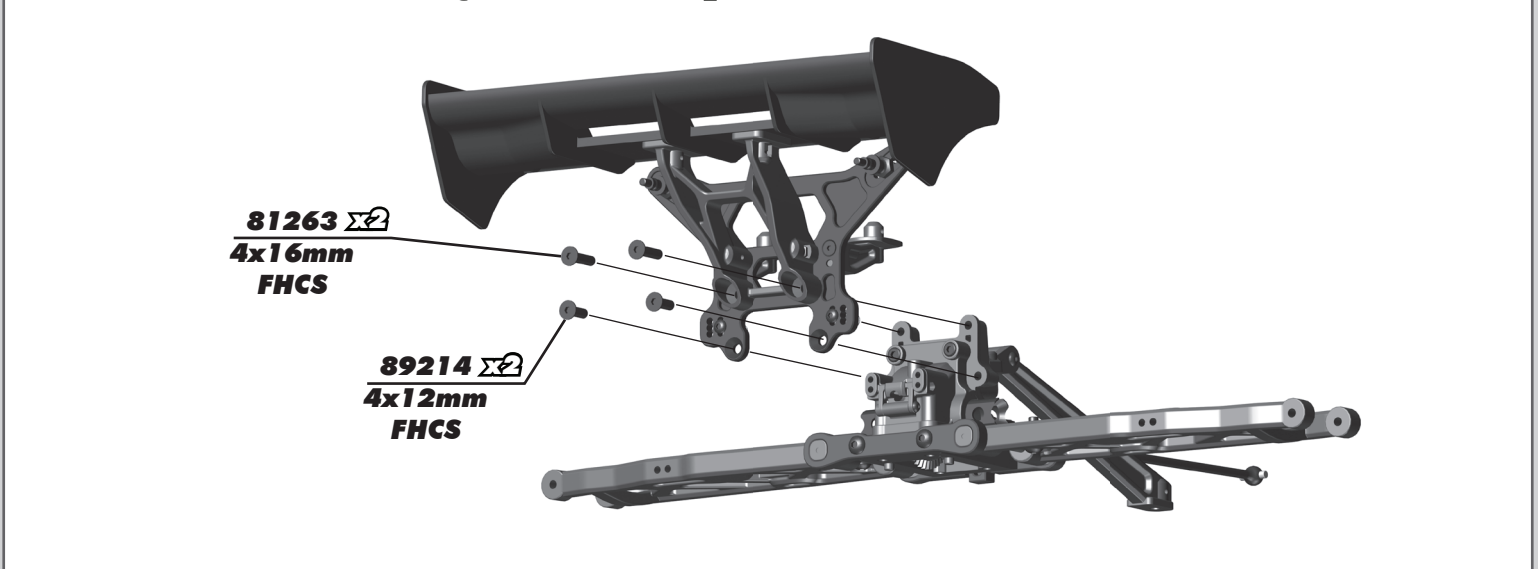
:: Rear Gearbox Build - Bag 5.1, 5.2 - Step 6



:: Rear Gearbox Build - Bag 5.1, 5.2 - Step 7



:: Rear Gearbox Build - Bag 5.1, 5.2 - Step 8



:: Rear Uprights / Turnbuckles Build - Bag 5.2, 6.1 - Step 1

81331 CVA Drive Shaft (133mm)

91566 15x21x4mm Bearing

81328 CVA Coupler Pin

81328 CVA Coupler

81326 CVA Axle, Steel

25225 3x3mm Set Screw

81075 Rear Hub

89096 Wheel Hex Pin

91565 8x16x5mm Bearing, Flanged

81319 Hex Drive, 17mm Offset (Blue)

89221 5x4mm Set Screw

81319 Hex Drive Clip, 17mm

#6588 black grease

#1596 thread lock

(not included)

! Slide the Hex Drive Clamp **PAST** the groove on the 17mm Hex Drive when installing onto the CVA Drive Shaft.

Clamp

Once the Wheel Hex Pin and 5x4mm Set Screw has been installed, slide the Hex Drive Clamp **IN** the groove on the 17mm Hex Drive.

:: Rear Uprights / Turnbuckles Build - Bag 5.2, 6.1 - Step 2

Kit Setup:
Mount the rear hub to the rear arm in the lower hole.

81094 Rod End, 5mm

81321 Steel Turnbuckle, 5 x 80mm

81094 Rod End, 5mm

81076 Hub Hinge Pin

81075 Rear Hub Shim, 1.0mm & 1.5mm

81075 Rear Hub Shim, 2.5mm

25612 M3 Locknut with flange, Black

Rear Hub Turnbuckle 57.5"mm (2.26")

:: Rear Uprights / Turnbuckles Build - Bag 5.2, 6.1 - Step 3

Kit Setup:
Mount the rear camber link in the outside hole on the rear hub.

89216 M4 Locknut, Black

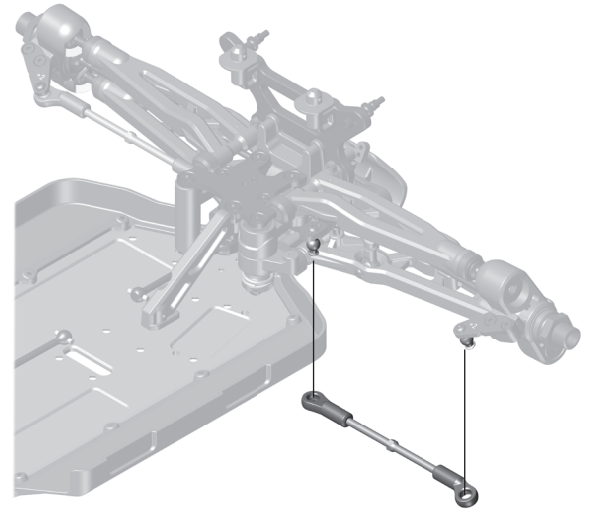
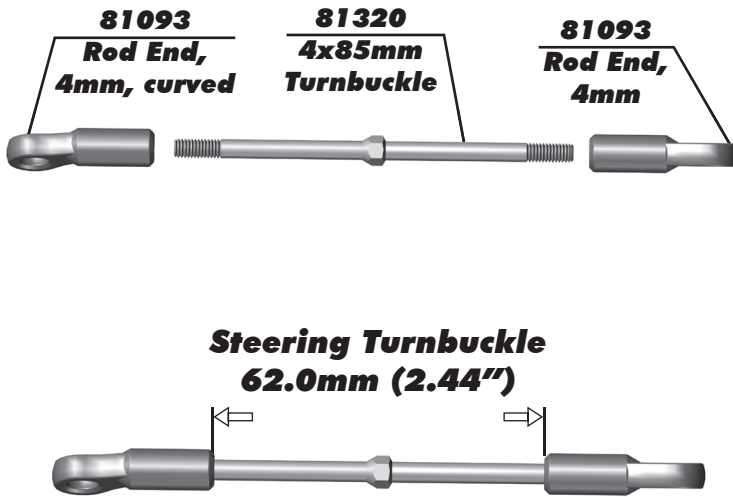
81264 $\Sigma 2$ 4x20mm FHCS

89214 $\Sigma 3$ 4x12mm FHCS

25612 M3 Locknut with flange, Black

89204 3x24mm BHCS

:: Rear Uprights / Turnbuckles Build - Bag 5.2, 6.1 - Step 4

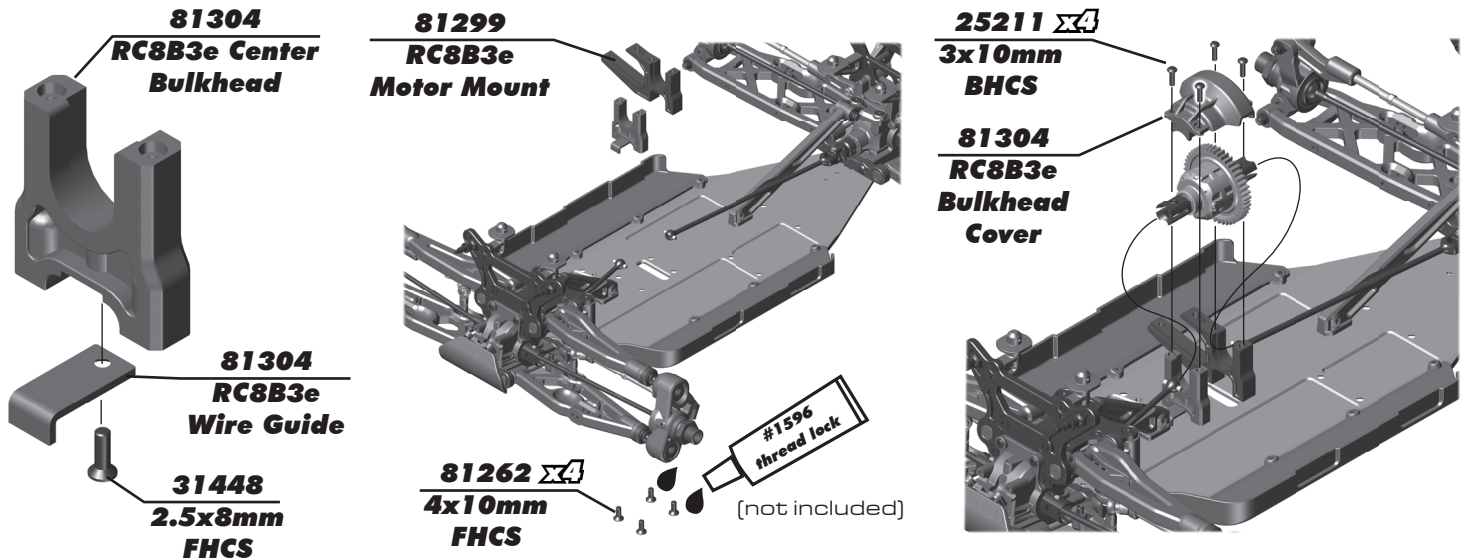


RC8T3.1e Electric Kit and RC8T3.1 Nitro Kit

If you are building an RC8T3.1e Electric kit, continue on to Center Bulkhead Build below this step.

If you are building an RC8T3.1 Nitro kit, go to page 17 to build the Anti-Roll Bars then the Shocks. Then go to page 22 to continue with the RC8T3.1 Nitro build.

:: Center Bulkhead Build - Bag 7.1, 7.2 - Step 1 (RC8T3.1e)



:: Center Bulkhead Build - Bag 7.1, 7.2 - Step 2 (RC8T3.1e)

Motor not included!

81300
RC8B3e Motor Mount Slide

89206 $\Sigma 2$
4x10mm BHCS

31532 $\Sigma 2$
3x8mm BHCS

25224
4x4mm Set Screw

Motor pinion not included!

#1596 thread lock

(not included)

:: Anti-Roll Bars Build - Bag 8.1 - Step 1

81150 $\Sigma 2$
Anti-Roll Bar Drop Link

81258
3x12mm Set Screw

81150
Rod End Ball

81150
Anti-Roll Bar Pivot

Left Side Right Side

Anti-Roll Bar Pivots:
Tighten the Anti-Roll Bar Rod Ends completely, then offset the Anti-Roll bar rod ends as seen above [approximately 45 degrees].

Steering Turnbuckles and upper arms removed for view clarity.

89203 $\Sigma 2$
3x16mm BHCS

:: Anti-Roll Bars Build - Bag 8.1 - Step 2

Center the Anti-Roll Bar Collet on the Anti-Roll Bar, then tighten the [#25225] 3x3mm set screw.

(not included)

#1596 thread lock

81130 (Front)
Anti-Roll Bar, Black 2.3mm

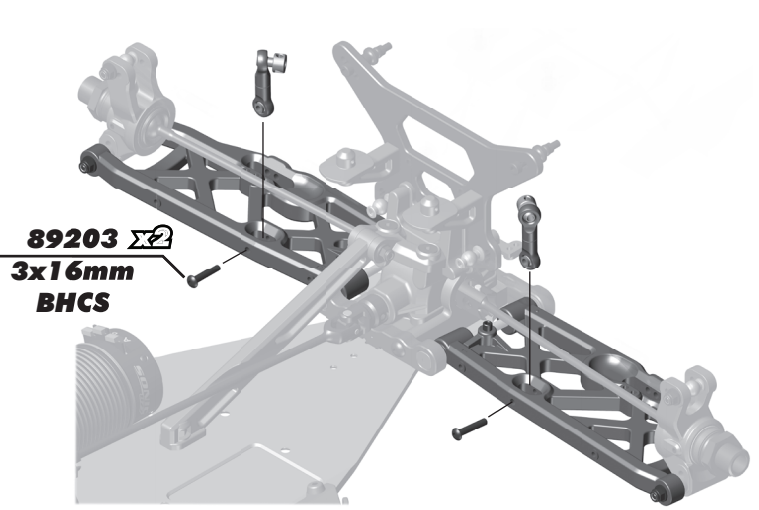
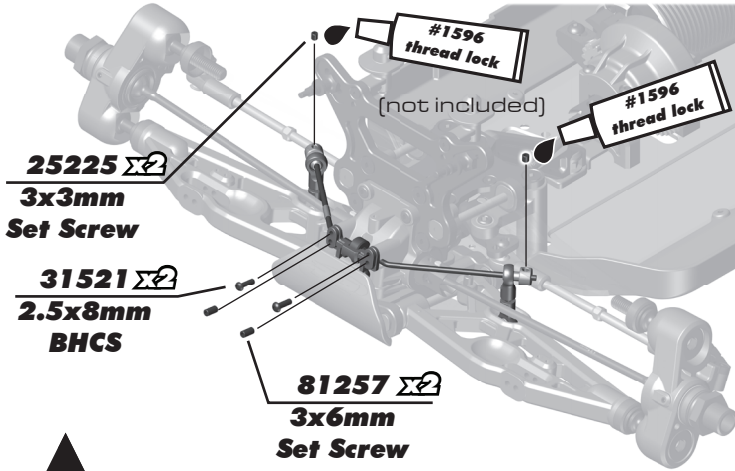
81140 (Rear)
Anti-Roll Bar, Blue 2.7mm

81150
Anti-Roll Bar Collet

25225
3x3mm Set Screw

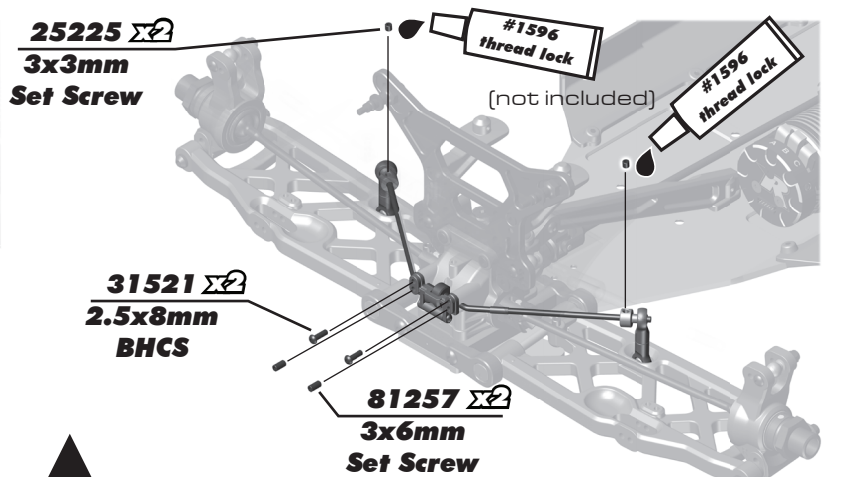
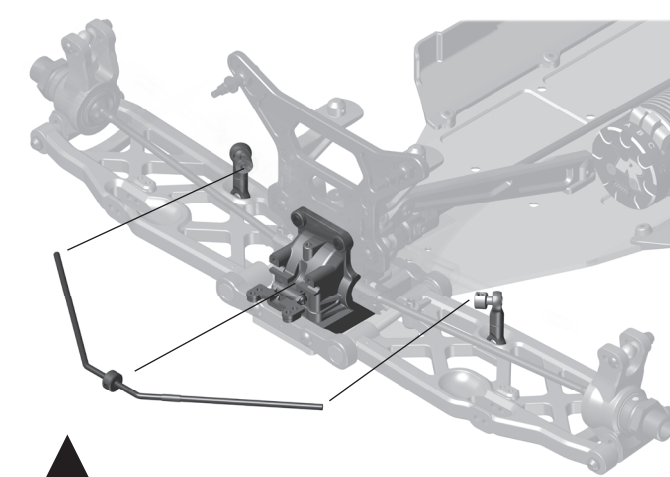
Build front and rear Anti-Roll Bars

:: Anti-Roll Bars Build - Bag 8.1 - Step 3



Tighten #81257 set screws just enough to still allow the anti-roll bar to move freely.

:: Anti-Roll Bars Build - Bag 8.1 - Step 4

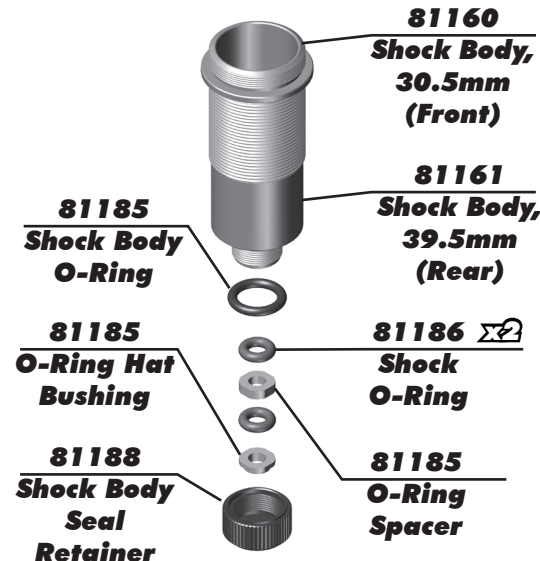
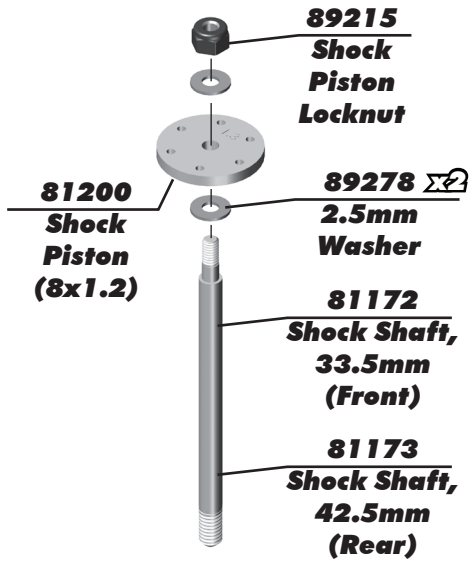


Rear Hub Turnbuckles removed for view clarity.

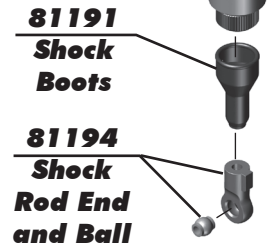


Tighten #81257 set screws just enough to still allow the anti-roll bar to move freely.

:: Shocks Build - Bag 9.1 - Step 1



Racer's Tip:
Use shock fluid or green slime (#1105) to lube the O-Rings before installation! (not included)

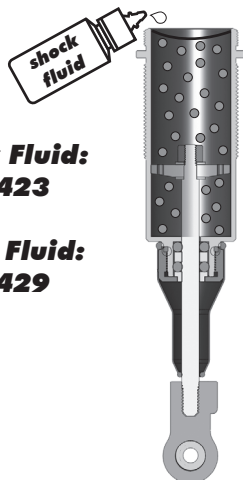


:: Shocks Build - Bag 9.1 - Step 2

81181 Shock Cap Insert



81179 Bleeder Cap



Front Shock Fluid: 40wt #5423

Rear Shock Fluid: 35wt #5429

81184 Seal, Bleeder Cap



When installing the shock cap seal, make sure it is correctly seated within the shock cap as shown.

!
Leave a gap when installing the shock cap.



:: Shocks Build - Bag 9.1 - Step 3

!
Compress shock shaft fully. Let shock fluid bleed from the bleeder hole.



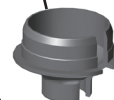
91492 2x4mm BHCS

91492 Gasket

81221 Spring Collar O-Ring, 20mm

81221 Spring Collar, 20mm

81194 Spring Cup, 20mm



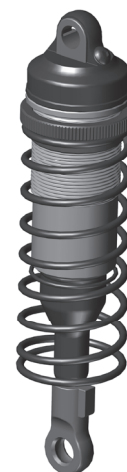
!
Some residual shock fluid may appear from your first few runs around the shock cap as a result of bleeding.



81225 Front Spring V2, Blue (5.55lb/in)

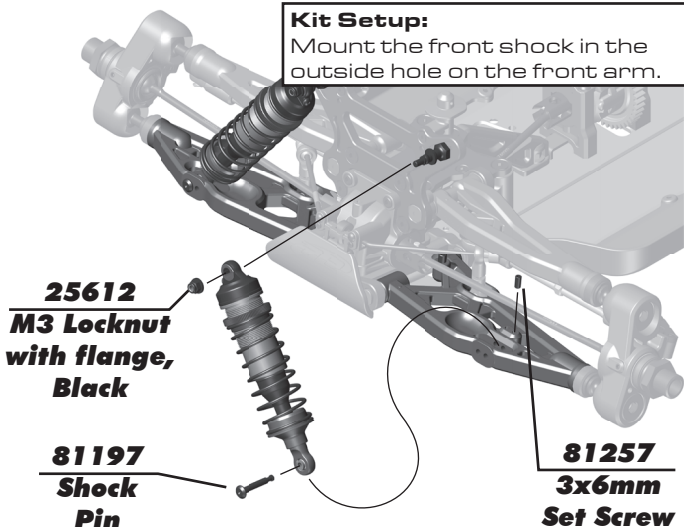
81231 Rear Spring V2, Blue (4.30lb/in)

!
The shock springs come with colored heat shrink tubing. Install them on the springs for easy identification.



:: Shocks Build - Bag 9.1 - Step 4

Kit Setup:
Mount the front shock in the outside hole on the front arm.

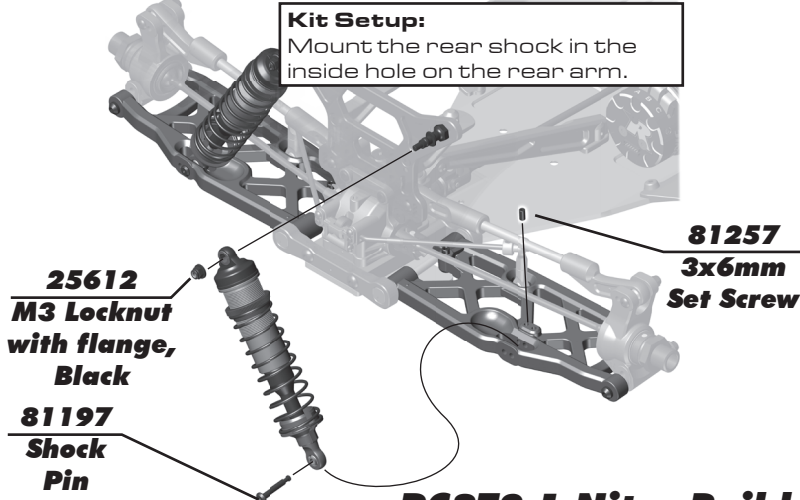


25612 M3 Locknut with flange, Black

81197 Shock Pin

81257 3x6mm Set Screw

Kit Setup:
Mount the rear shock in the inside hole on the rear arm.



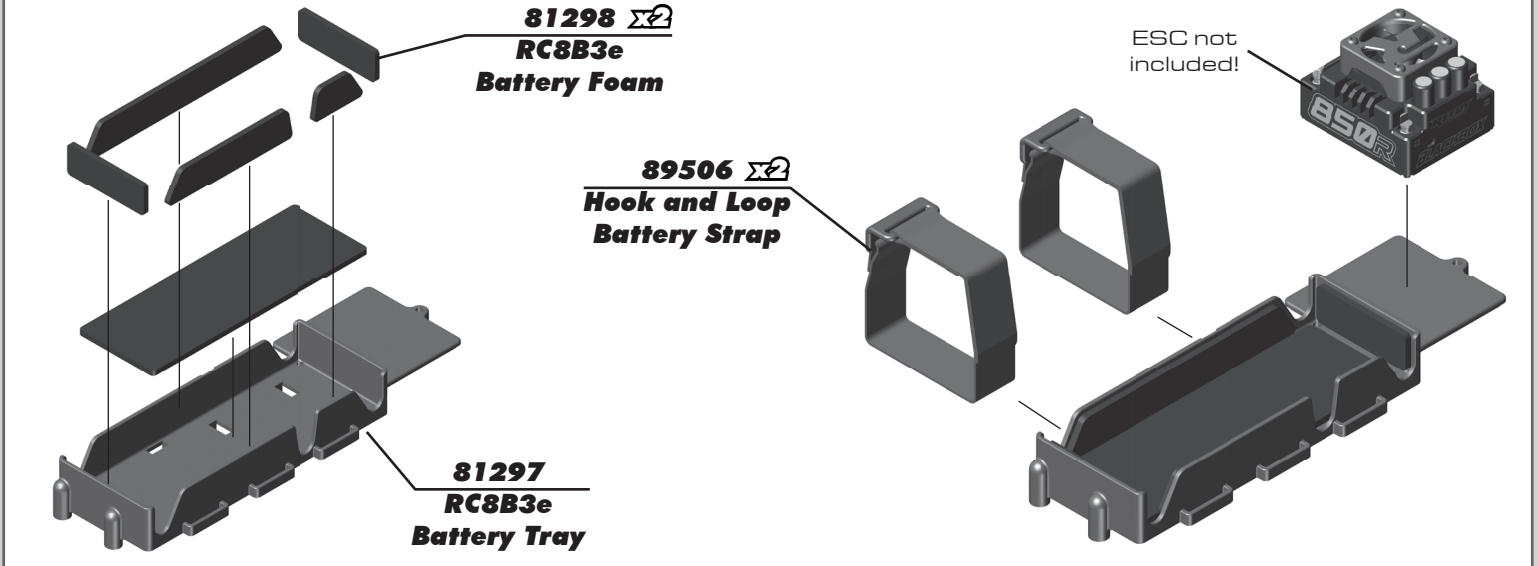
25612 M3 Locknut with flange, Black

81197 Shock Pin

81257 3x6mm Set Screw

RC8T3.1 Nitro Build continues on page 22

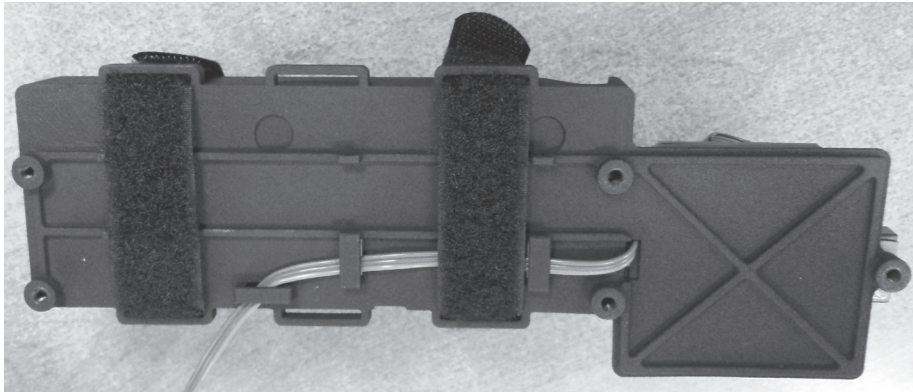
:: Radio Tray Build - Bag 10.1, 10.2 - Step 1



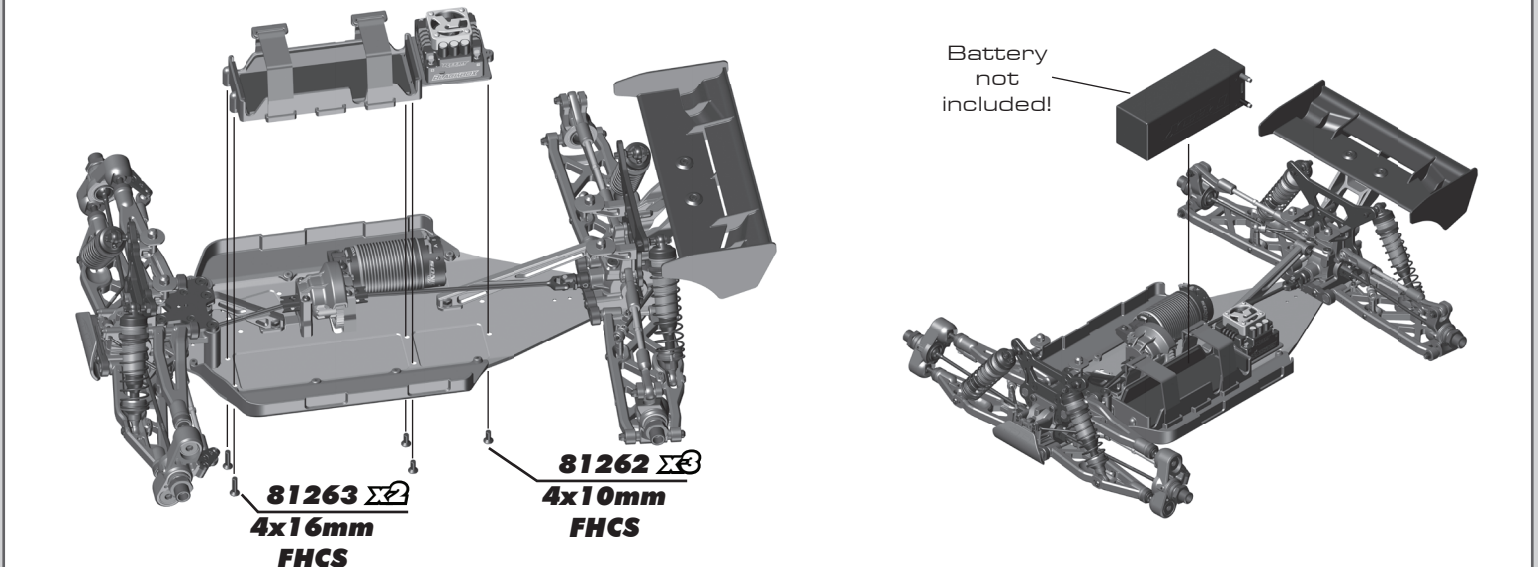
:: Radio Tray Build - Bag 10.1, 10.2 - Step 2

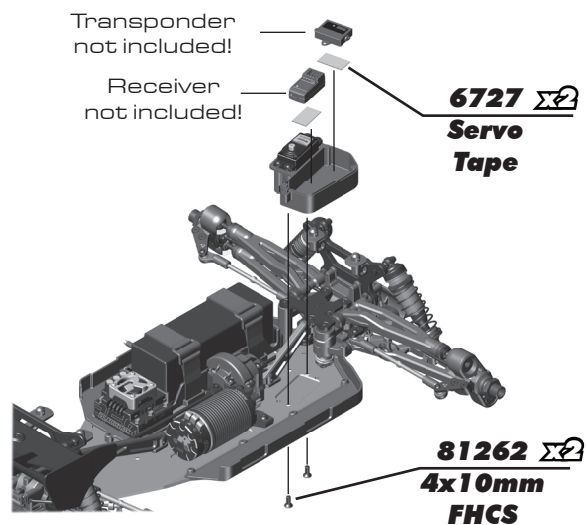
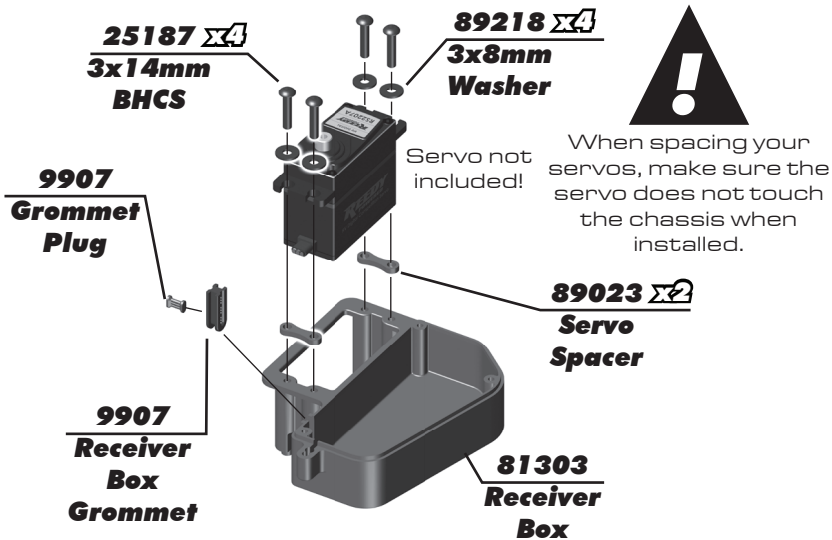


Install the ESC wire as shown first.
Then run the hook and loop straps
as shown.

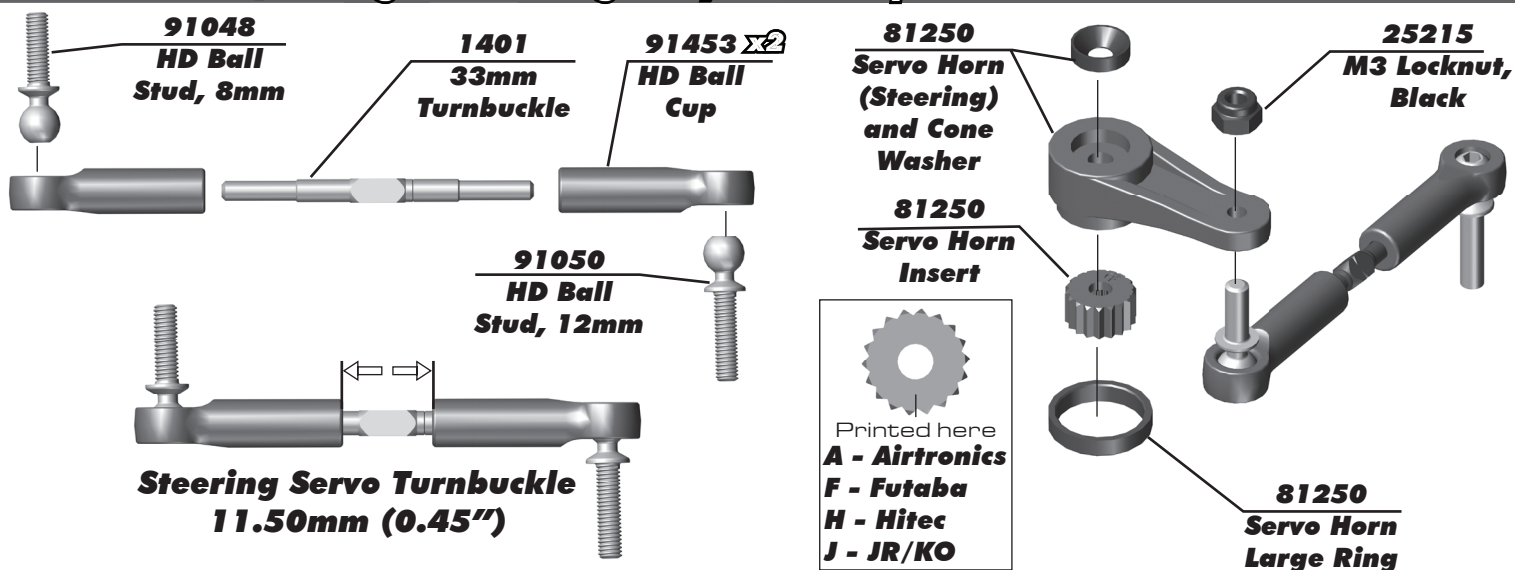


:: Radio Tray Build - Bag 10.1, 10.2 - Step 3

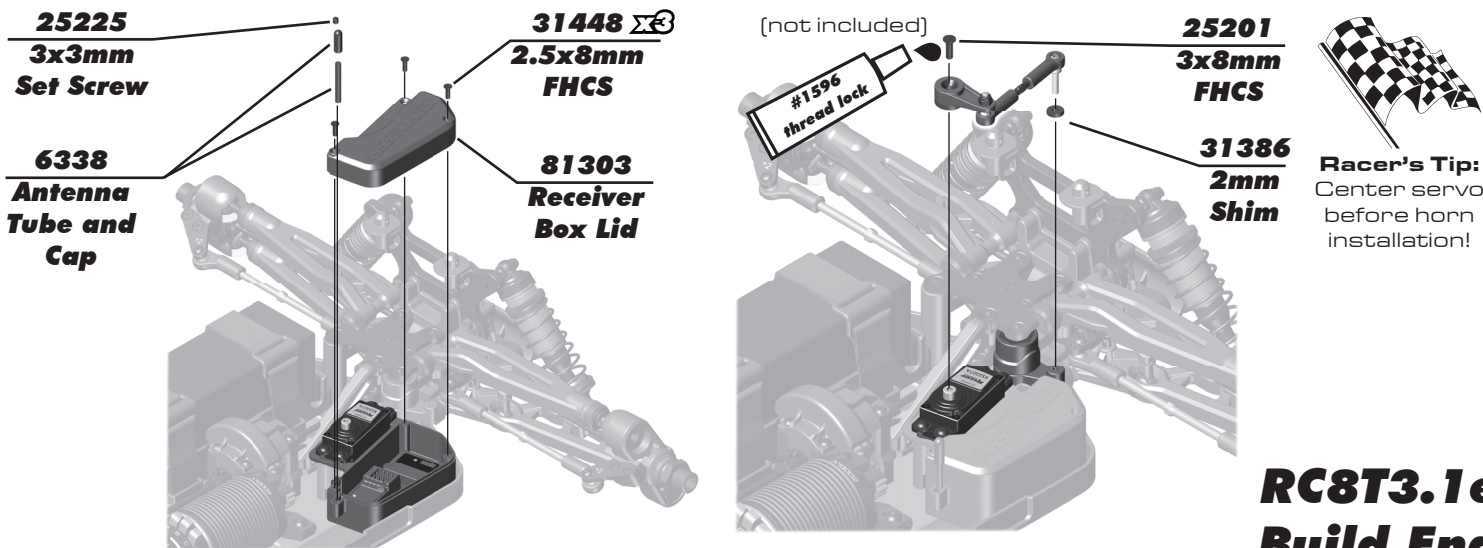




:: Receiver Box / Linkage Build - Bag 11.1, 11.2 - Step 2



:: Receiver Box / Linkage Build - Bag 11.1, 11.2 - Step 3



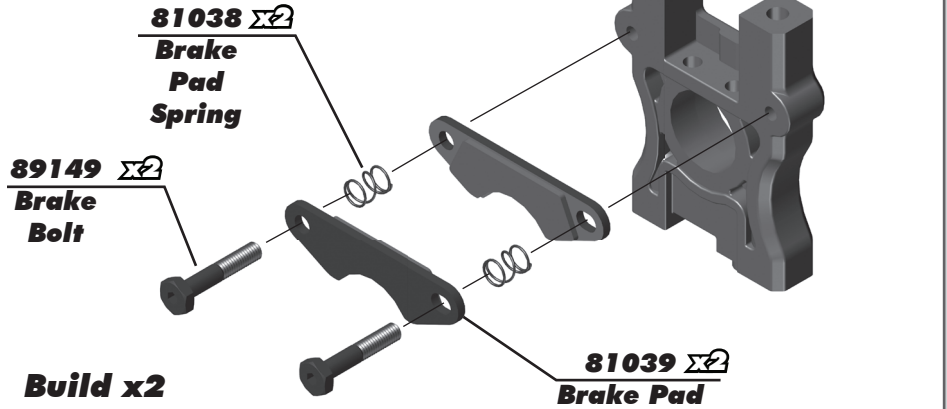
RC8T3.1e
Build End

:: Center Bulkhead / Brakes Build - Bag 7.1, 7.2 - Step 1 (RC8T3.1 Nitro)

**RC8T3.1 Nitro
Build Continued**

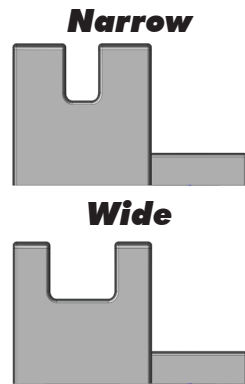
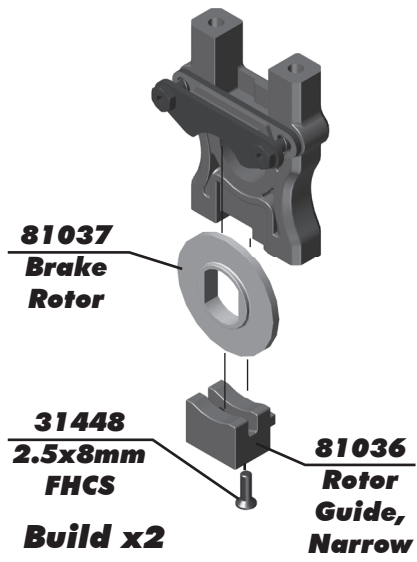


Align slotted holes on the same side when installing brake pads.

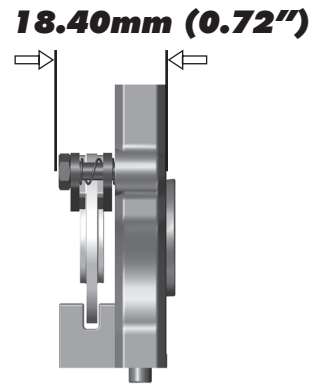


Build x2

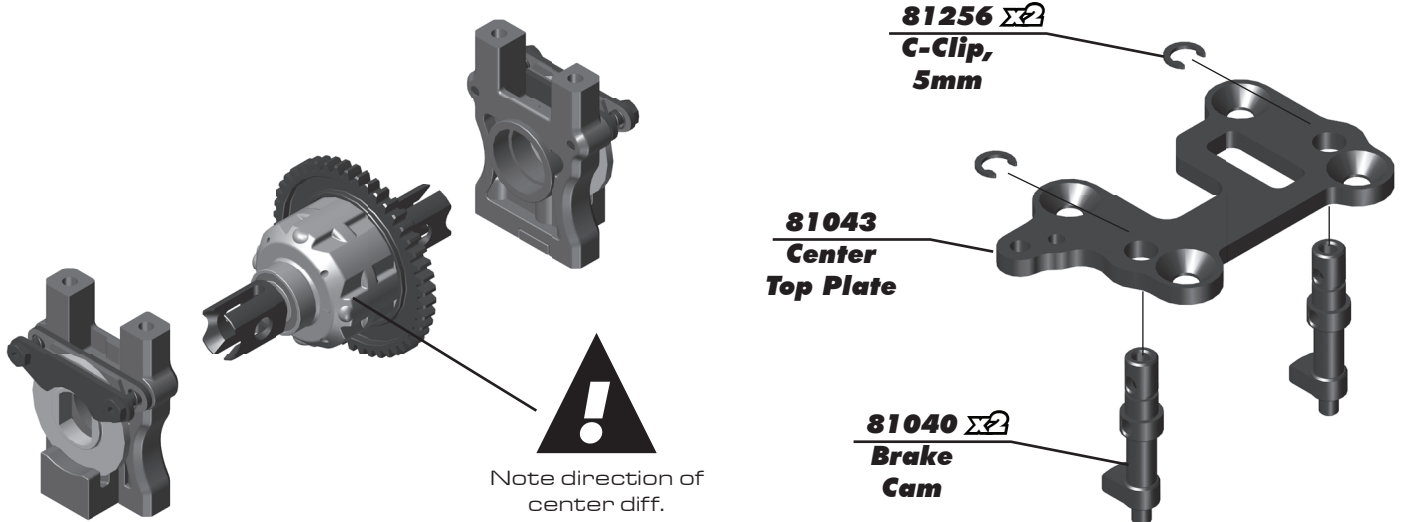
:: Center Bulkhead / Brakes Build - Bag 7.1, 7.2 - Step 2 (RC8T3.1 Nitro)



Wide Rotor Guide used for optional #89123 Heat Sink Brake Disc.

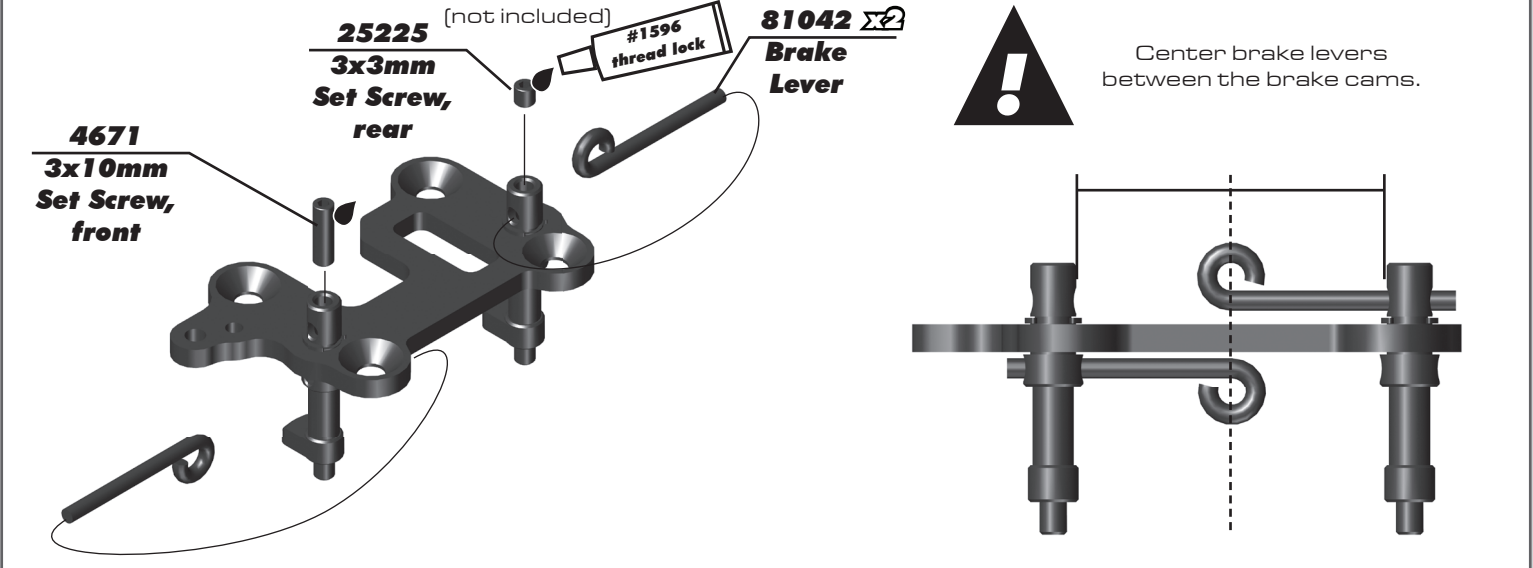


:: Center Bulkhead / Brakes Build - Bag 7.1, 7.2 - Step 3 (RC8T3.1 Nitro)

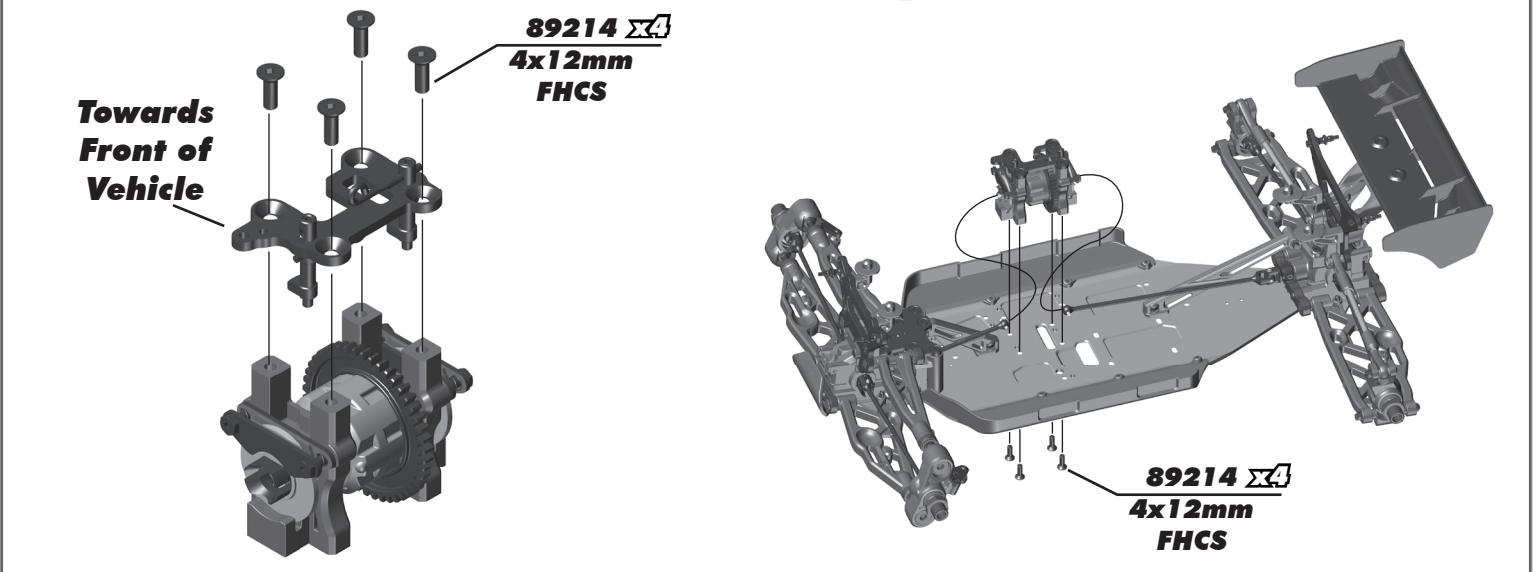


Note direction of center diff.

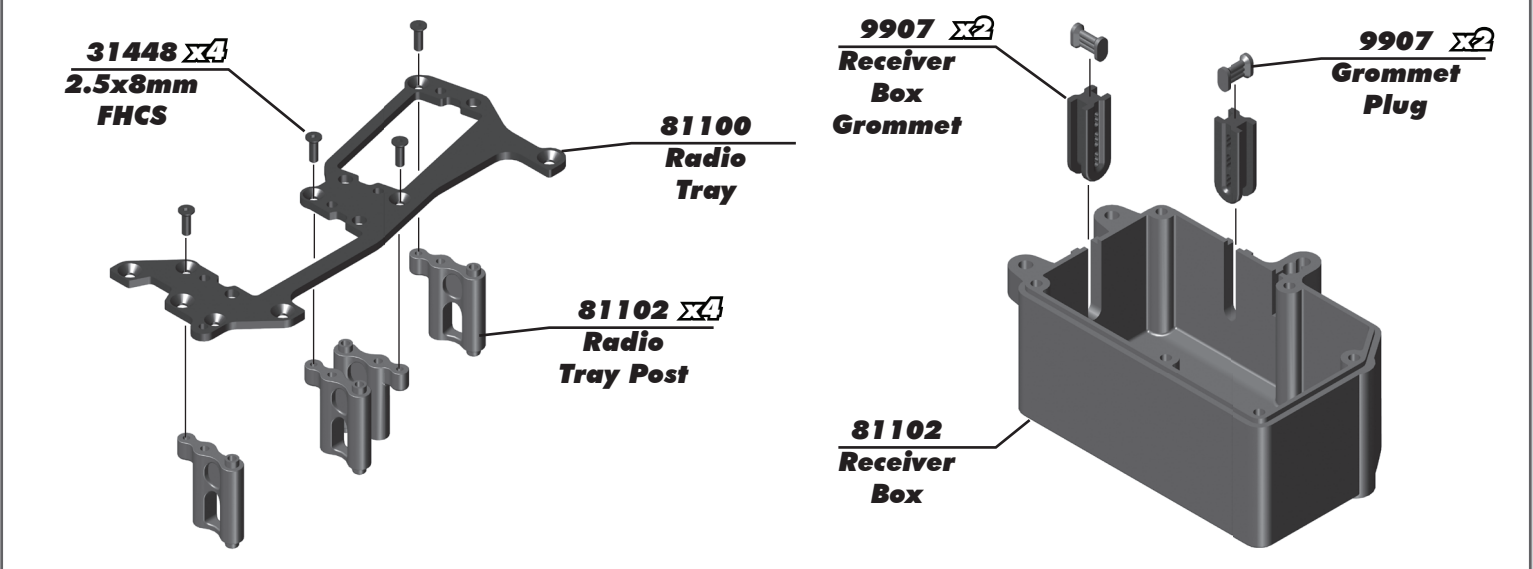
:: Center Bulkhead / Brakes Build - Bag 7.1, 7.2 - Step 4 (RC8T3.1 Nitro)



:: Center Bulkhead / Brakes Build - Bag 7.1, 7.2 - Step 5 (RC8T3.1 Nitro)



:: Radio Tray Build - Bag 10.1, 10.2 - Step 1



:: Radio Tray Build - Bag 10.1, 10.2 - Step 2

25201 $\times 2$
3x8mm
FHCS

31448
2.5x8mm
FHCS

25187 $\times 4$
3x14mm
BHCS

89218 $\times 4$
3x8mm
Washer

89023 $\times 2$
Servo
Spacer

81102
Transponder
Mount

25187 $\times 4$
3x14mm
BHCS

89218 $\times 4$
3x8mm
Washer

89023 $\times 2$
Servo
Spacer

Servo not included!

Servo not included!

When spacing your servos, make sure the servo does not touch the chassis when installed.

:: Radio Tray Build - Bag 10.1, 10.2 - Step 3

31531 $\times 3$
3x6mm
BHCS

Transponder not included!

81103
Receiver
Battery
Tray

6727
Servo
Tape

Receiver Battery not included!

:: Radio Tray Build - Bag 10.1, 10.2 - Step 4

25201 $\times 2$
3x8mm
FHCS

Racer's Tip:
Use strapping tape for extra security for battery installation!

Strapping Tape not included!

:: Radio Tray Build - Bag 10.1, 10.2 - Step 5

6338
Antenna
Tube and
Cap

Receiver
not included!

25225
3x3mm
Set Screw

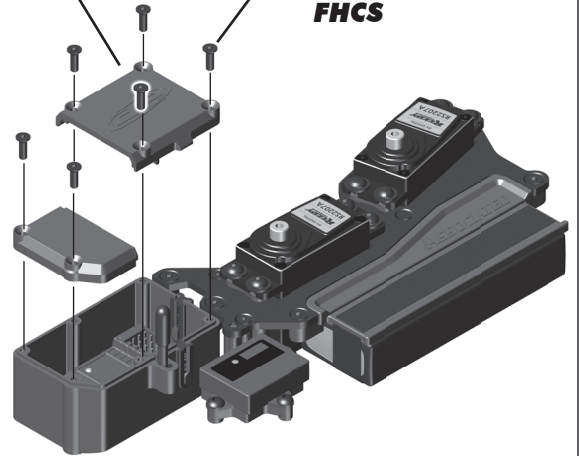
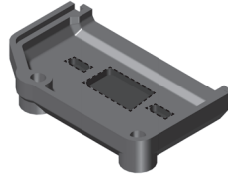
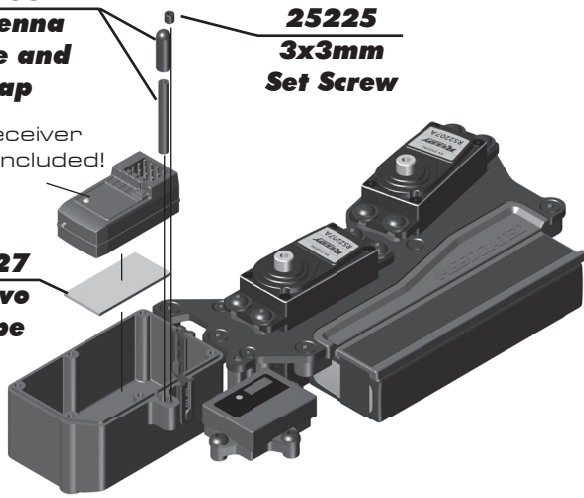
6727
Servo
Tape

81102
Receiver
Box Lid

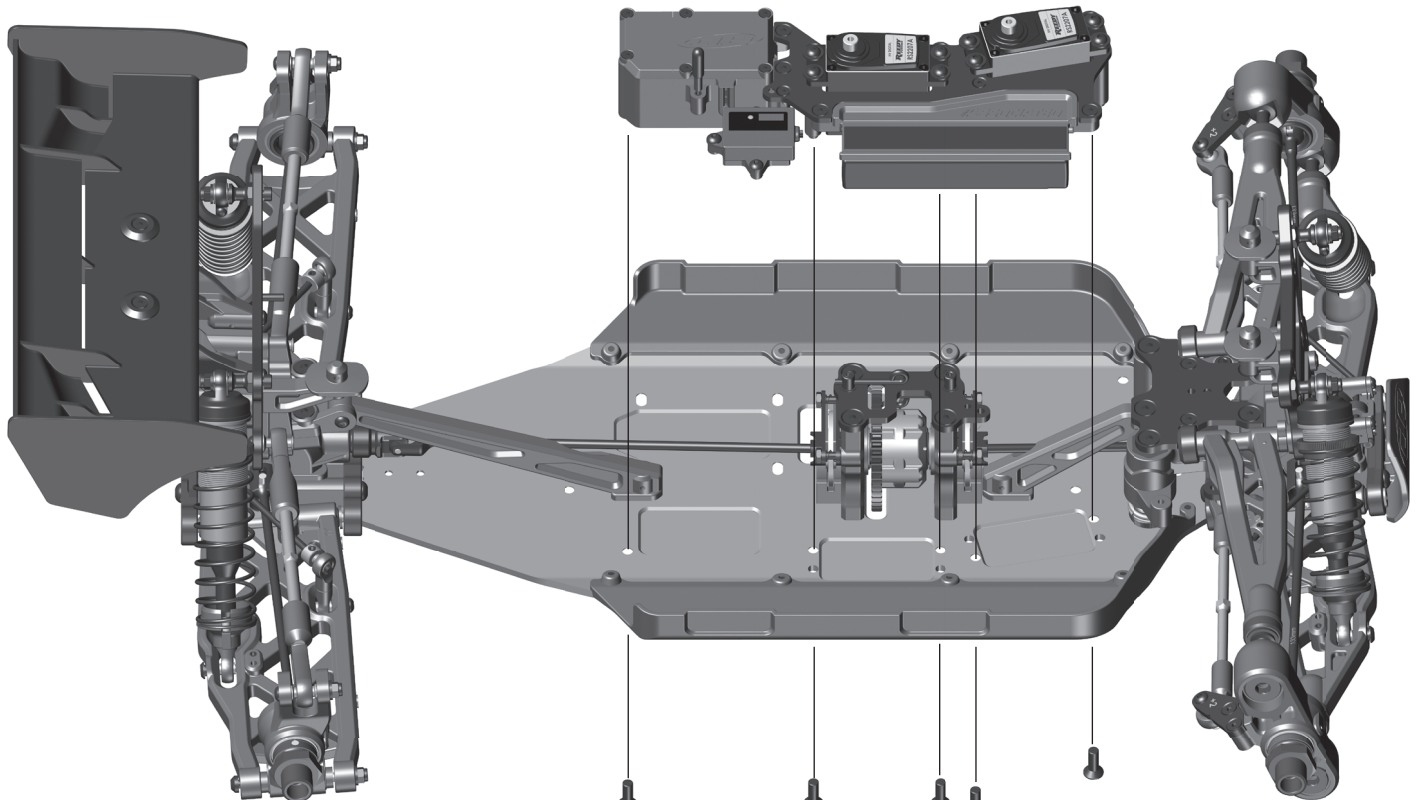
31448 $\Sigma 6$
2.5x8mm
FHCS



When using a receiver switch, you will need to carefully remove material from the receiver box lid in the highlighted sections below in order to mount your switch.



:: Radio Tray Build - Bag 10.1, 10.2 - Step 6



89214 $\Sigma 5$
4x12mm
FHCS

:: Servo Horns / Linkage Build - Bag 11.1, 11.2 - Step 1

91048
HD Ball Stud, 8mm

1401
33mm Turnbuckle

91453 $\Sigma 2$
HD Ball Cup

91050
HD Ball Stud, 12mm

81250
Servo Horn (Steering) and Cone Washer

25215
M3 Locknut, Black

81250
Servo Horn Insert

Printed here
A - Airtronics
F - Futaba
H - Hitec
J - JR/KO

81250
Servo Horn Large Ring

Steering Servo Turnbuckle
11.50mm (0.45")

:: Servo Horns / Linkage Build - Bag 11.1, 11.2 - Step 2

(not included) #1596 thread lock

25201
3x8mm FHCS

31386
2mm Shim

7184
2x16mm SHCS

81251 $\Sigma 3$
Servo Horn Pivot

81251
Cone Washer

81251 $\Sigma 3$
2x10mm SHCS

81251 $\Sigma 3$
Washer

81251
Pivot Bushing, Brake

81251
Pivot Bushing, Throttle

81250
Servo Horn, Throttle

81250
Servo Horn, Large Ring

81251
Servo Horn Insert

Printed here
A - Airtronics
F - Futaba
H - Hitec
J - JR/KO

Racer's Tip:
Center servo before horn installation!

:: Servo Horns / Linkage Build - Bag 11.1, 11.2 - Step 3

(not included) #1596 thread lock

81251
Throttle Spring

81251
Set Collar

81251
Throttle Ball Cup

81251 $\Sigma 3$
Brake Link

81251 $\Sigma 3$
Brake Bias Collar

25225 $\times 4$
3x3mm Set Screw

Install Brake Links so they are flush with the back of the servo horn pivots.

:: Servo Horns / Linkage Build - Bag 11.1, 11.2 - Step 4

81251 $\Sigma 2$
Brake Linkage Spring Ball

8433 $\Sigma 2$
.024 Spring

81251 $\Sigma 2$
Set Collar

#1596 thread lock

(not included)

25225 $\Sigma 2$
3x3mm Set Screw

25201
3x8mm FHCS

(not included)

#1596 thread lock

Racer's Tip:
Center servo before horn installation!

:: Engine / Tank Build - Bag 12.1, 12.2 - Step 1

3719 $\Sigma 2$
6" Nylon Wire Tie

81322 $\Sigma 2$
RC8T3 Fuel Tank

81322 $\Sigma 2$
Fuel Tank Clip

7725
Fuel Tubing (22mm long)

25211 $\Sigma 2$
3x10mm BHCS

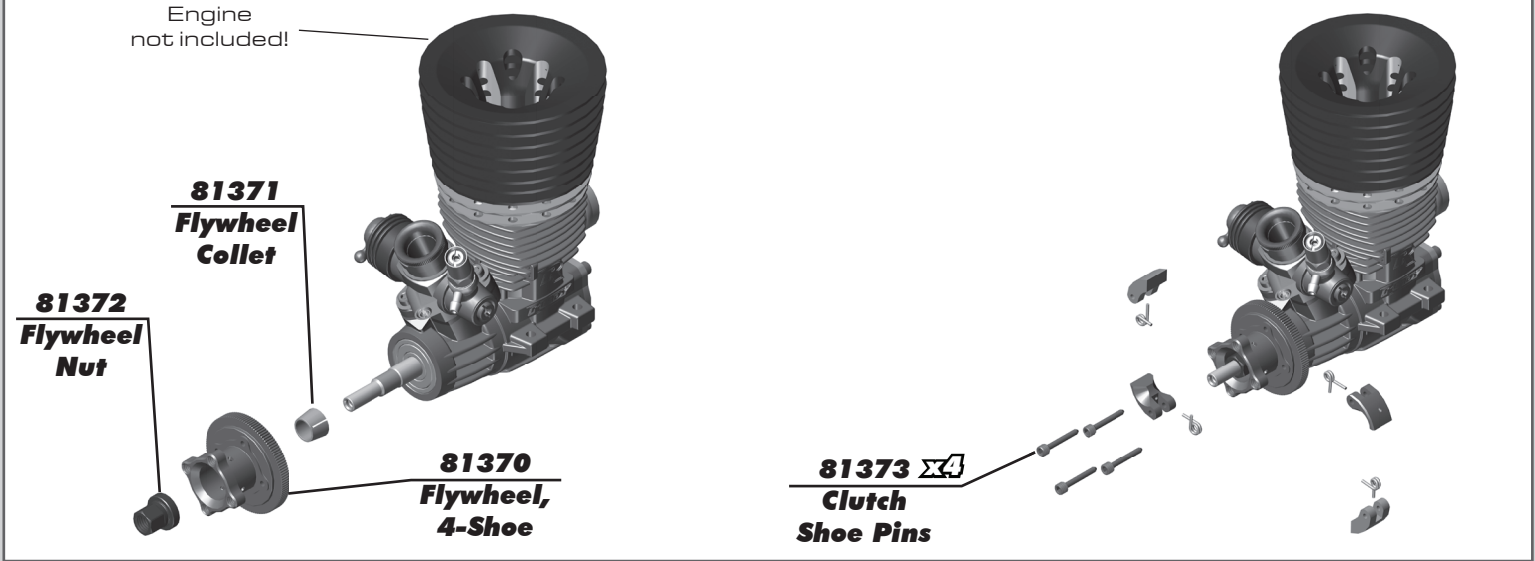
89218 $\Sigma 2$
3x8mm Washer

31520 $\Sigma 2$
2.5x6mm BHCS

81122 $\Sigma 2$
Fuel Tank Post

81262 $\Sigma 2$
4x10mm FHCS

:: Engine / Tank Build - Bag 12.1, 12.2 - Step 2

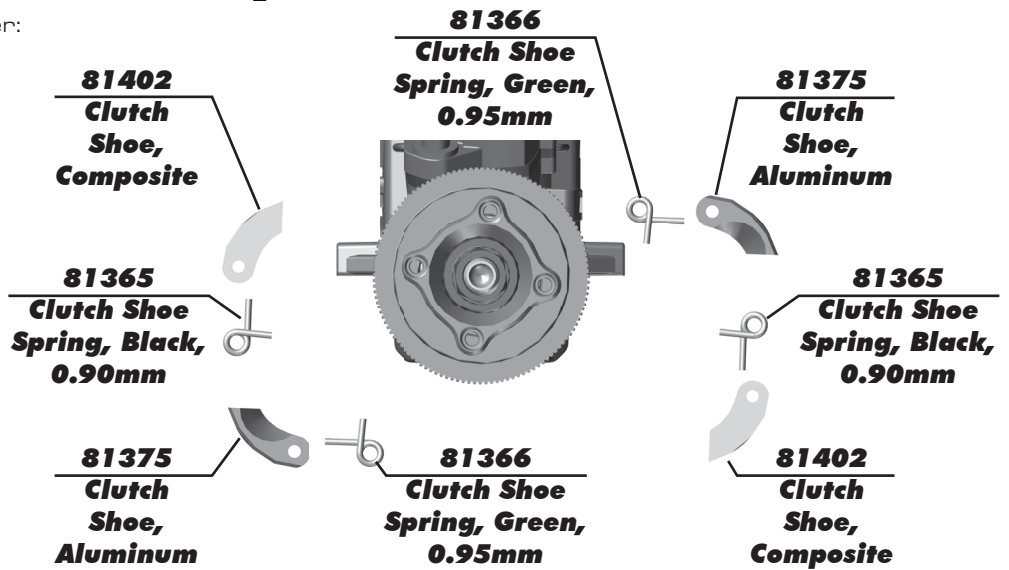


:: Engine / Tank Build - Bag 12.1, 12.2 - Step 3

Clutch Shoe / Spring Installation Order:



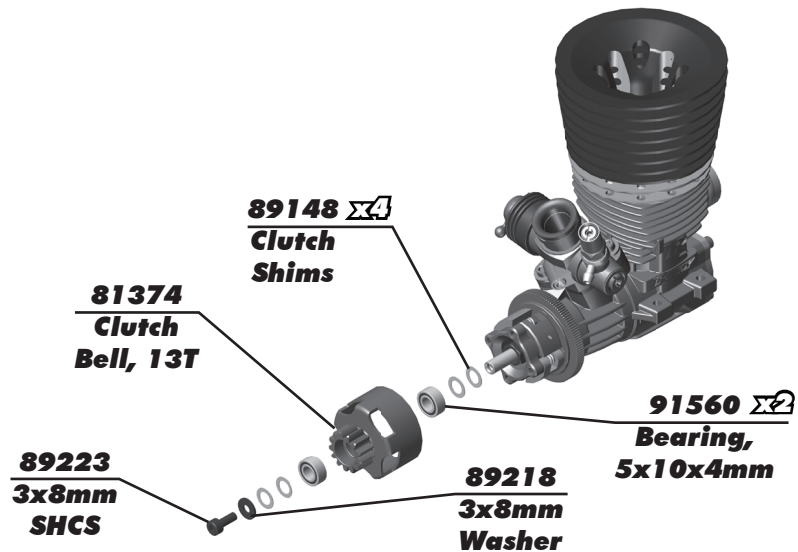
Short end of clutch shoe spring installed into flywheel.
Long end of clutch shoe spring installed into clutch shoe.



:: Engine / Tank Build - Bag 12.1, 12.2 - Step 4

Clutch shimming instructions:
If assembly does not spin freely, use #89148 (small clutch shim included in kit) on screw to increase end play.
If crankcase extends past clutch bearing, use #89218 (large clutch shim included in kit) to reduce end play.

Recommended Clutch Bell Axial Play = 0.2 - 0.5mm



:: Engine / Tank Build - Bag 12.1, 12.2 - Step 5

81124 Air Filter Cap

81124 Air Filter

81124 Air Filter Boot

3719 Nylon Wire Tie, 6"

81125 Air Filter Element

25620 3x10mm SHCS

When oiling the filter elements, place both inside a plastic bag and squeeze to help evenly coat the filter.

:: Engine / Tank Build - Bag 12.1, 12.2 - Step 4

25620 x4 3x10mm SHCS

#1596 thread lock (not included)

Exhaust spring not included!

81115 x2 Engine Mount

Exhaust Pipe not included!

Header pipe gaskets not included!

:: Engine / Tank Build - Bag 12.1, 12.2 - Step 5

31531 3x6mm BHCS

#1596 thread lock

89218 3x8mm Washer

7732 4x4mm Set Screw

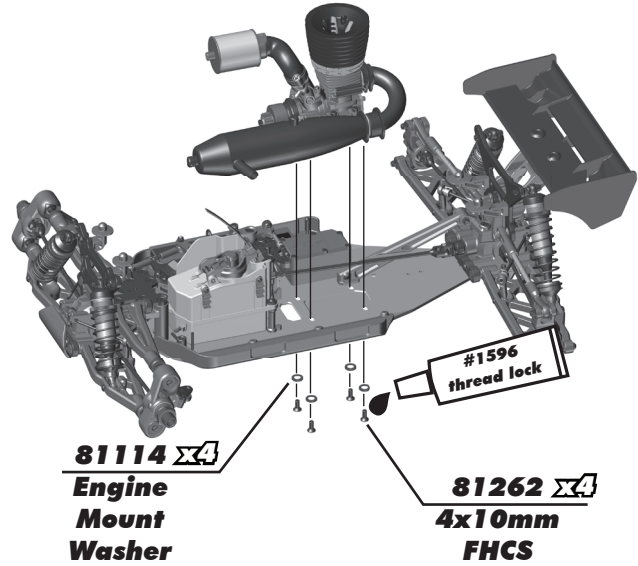
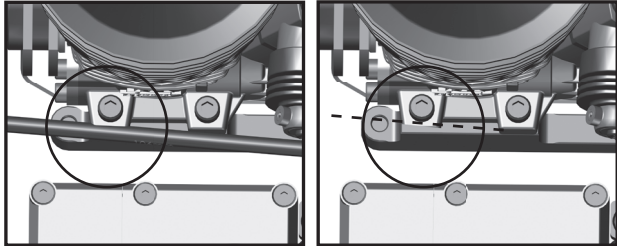
81118 Pipe Mount

81262 4x10mm FHCS

:: Engine / Tank Build - Bag 12.1, 12.2 - Step 6

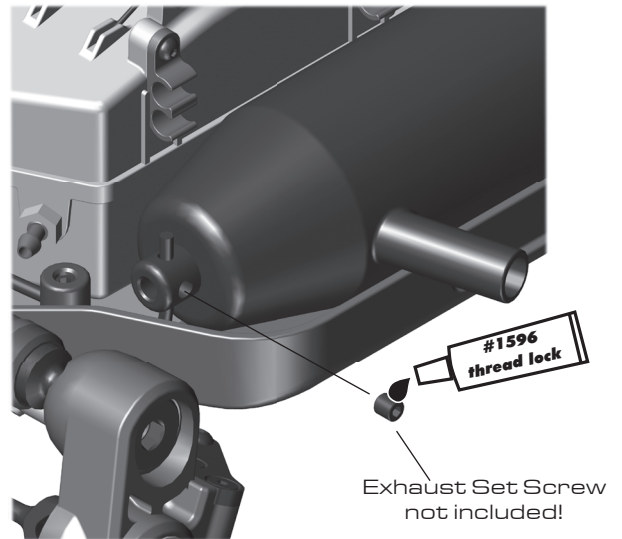
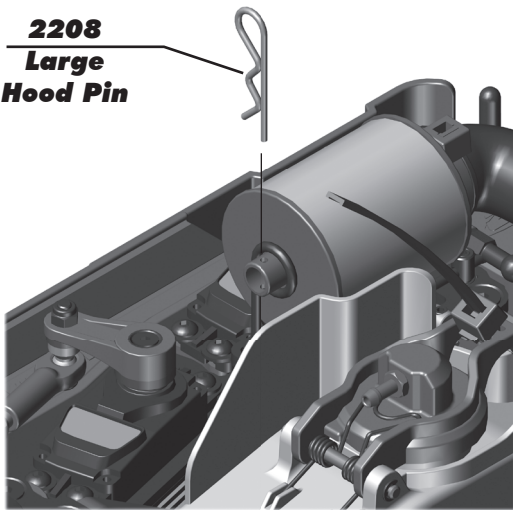


When installing your engine, make sure the rear drive shaft does not interfere with the engine mount. You may need to remove material from the engine mount for fitment.



:: Engine / Tank Build - Bag 12.1, 12.2 - Step 7

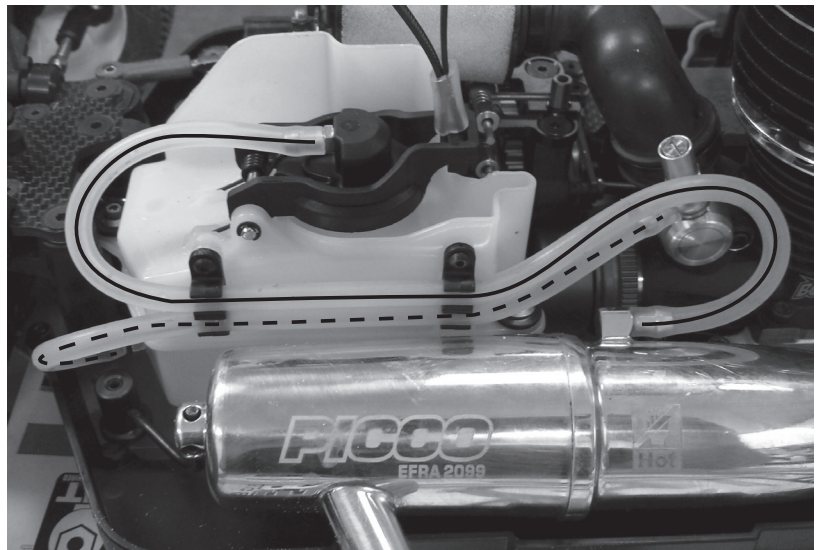
**2208
Large
Hood Pin**



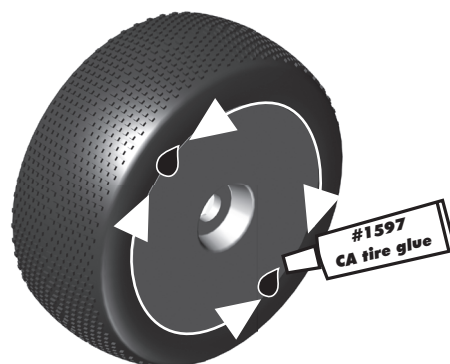
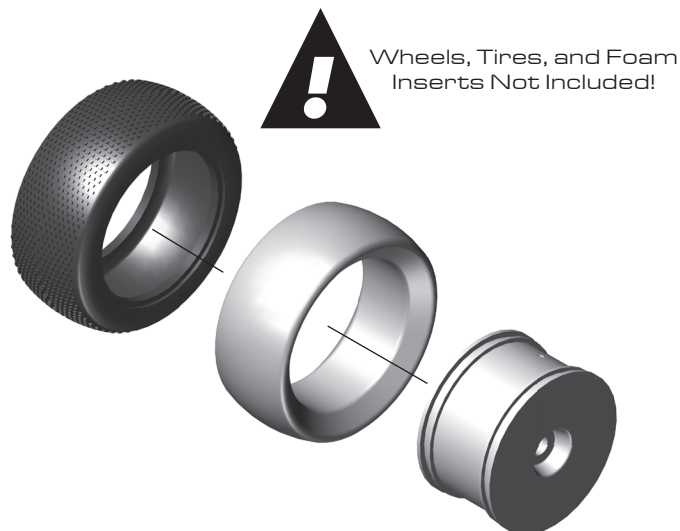
:: Engine / Tank Build - Bag 12.1, 12.2 - Step 8

**—————
Pressure line from fuel
tank lid to exhaust pipe
(6.5" of length suggested)**

**- - - - -
Fuel line from fuel tank
to carburetor
(6.5" of length suggested)**



:: Wheels / Tires / Body - Misc. - Step 1

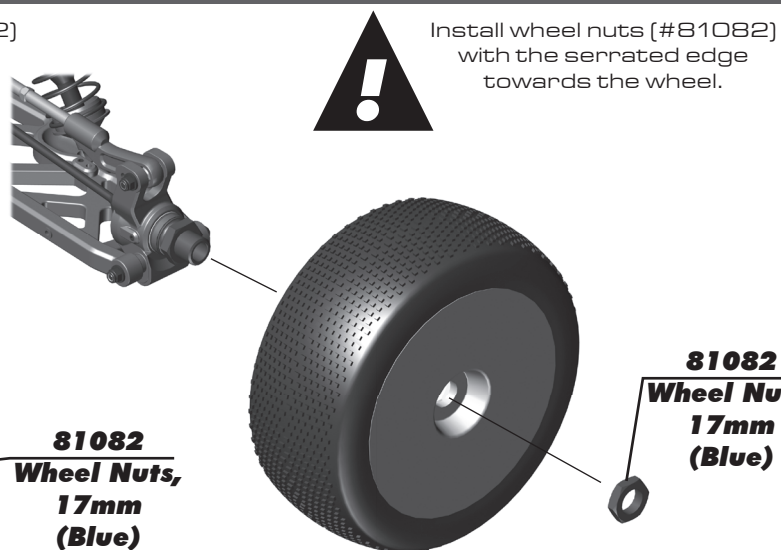
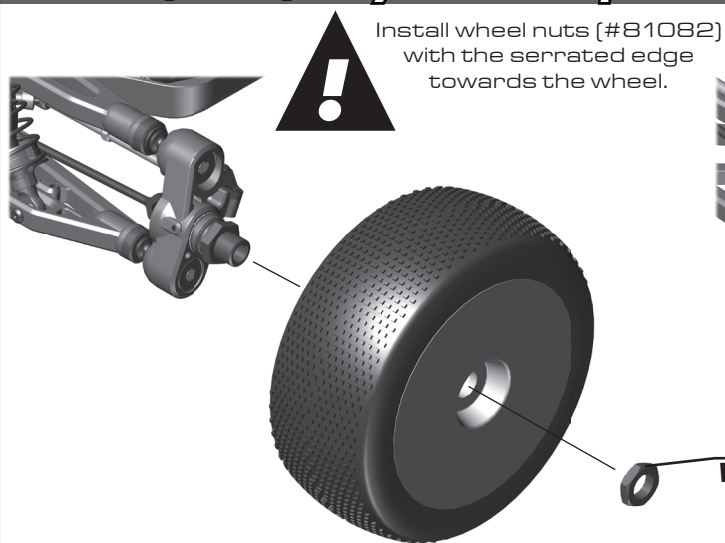


Build four wheels/tires

Tires:

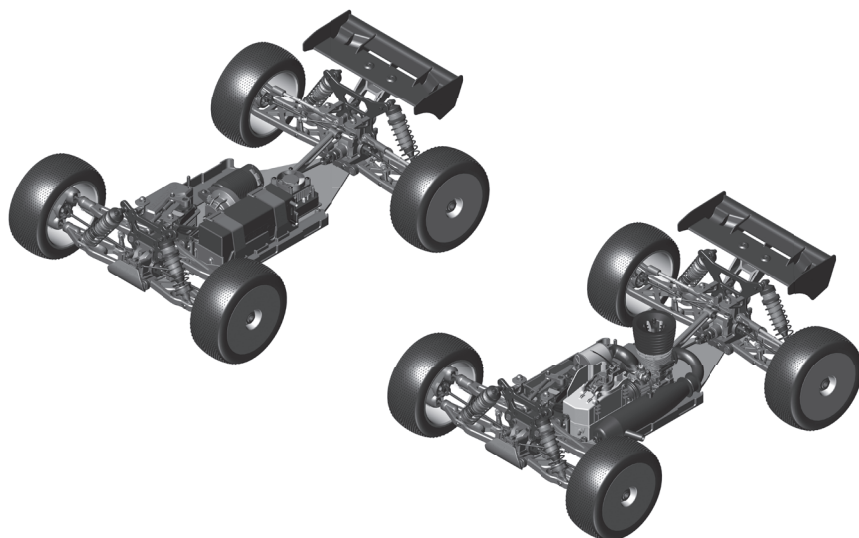
When gluing tires to wheels, use a fast-curing tire glue [CA] [AE # 1597]. This is available at your local hobby shop. Make sure to clean the mounting surface of the tire and wheel with alcohol for best adhesion.

:: Wheels / Tires / Body - Misc. - Step 2



**81082
Wheel Nuts,
17mm
(Blue)**

:: Wheels / Tires / Body - Misc. - Step 3



Painting Tips:

Your new kit comes with a clear polycarbonate body. You will need to prep the body before you can paint it. Wash the inside thoroughly with warm water and liquid detergent. Dry the body using a clean, soft, lint-free cloth. Install the window masks on the inside of the body (RC car bodies get painted on the inside). If creating a design, using high quality masking tape, apply tape to the inside of the body to create a design. Spray (either rattle can or airbrush R/C specific paint) the paint to the inside of the body (preferably dark colors first, lighter colors last).

NOTE: use ONLY paint that is recommended for use with (polycarbonate) plastics. If you do not, you can destroy the polycarbonate body!!!

After painting, cut the body along the trim lines. Make sure to drill or use a body reamer to make the holes for the body mounts and antenna!

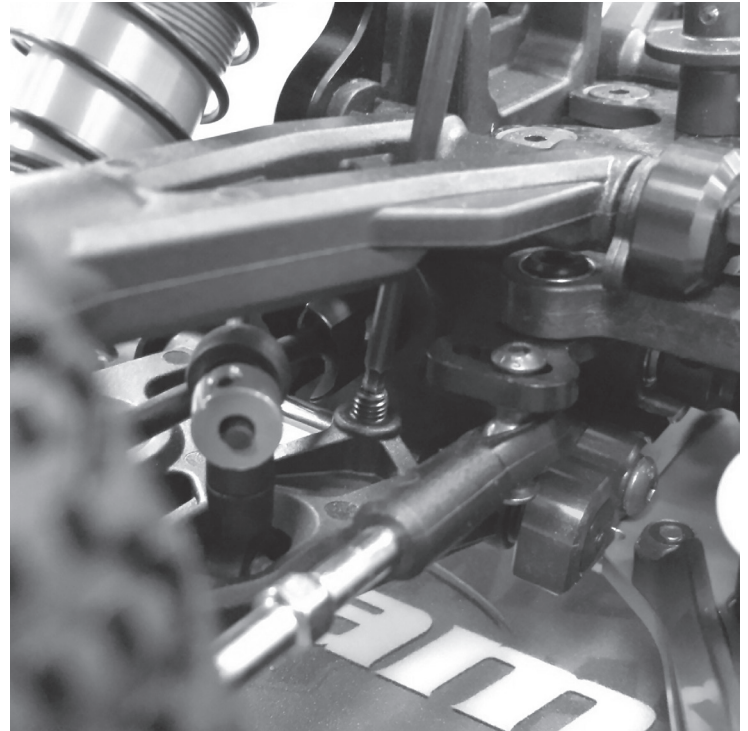
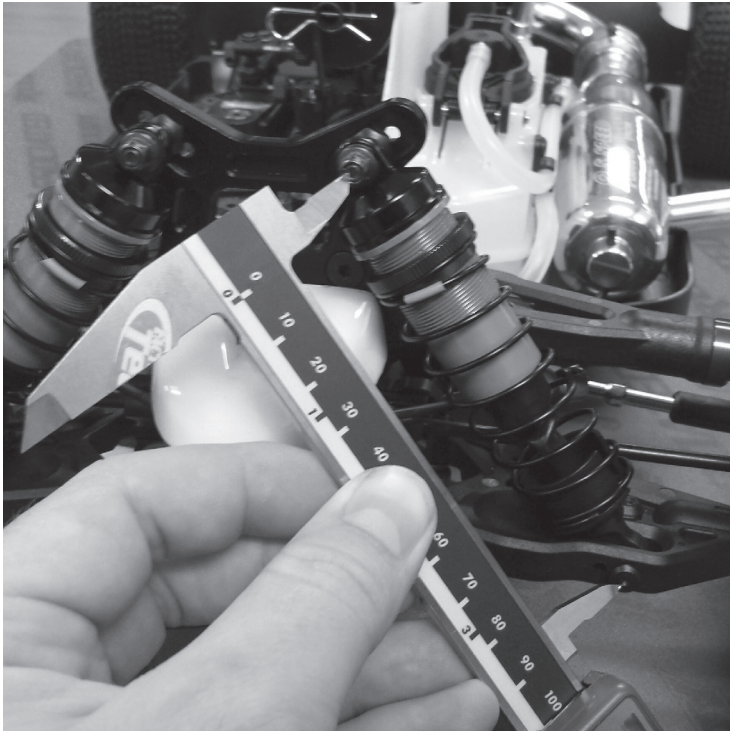
:: Droop Settings

Set droop by measuring overall length of shock (from standoff to shock pin) while the chassis is elevated above your working surface. The shocks should be fully extended.

Kit setup for front droop is 104mm shock length, and 124mm shock length for the rear.

If the shock length is too long, adjust by turning the droop screws clockwise.

If the shock length is too short, adjust by turning the droop screws counter-clockwise.



Front Droop: Increasing front droop (loosen droop screws) will increase off-throttle steering. It also allows the front end to lift more, giving more rear grip and less front grip on-power. Remember to never loosen the screws beyond the FULL DROOP setting. Decreasing front droop (tighten droop screws) yields more on-power steering and quicker response at the expense of some stability in bumpy sections. It will also give less off-throttle steering.

Rear Droop: Increasing rear droop (loosen droop screws) will increase traction in bumpy sections, but will reduce high-speed stability. Remember to never loosen the screws beyond the FULL DROOP setting. Decreasing rear droop (tighten droop screws) will increase stability in high speed sections, but will reduce stability in bumpy sections.

Setup Sheets:

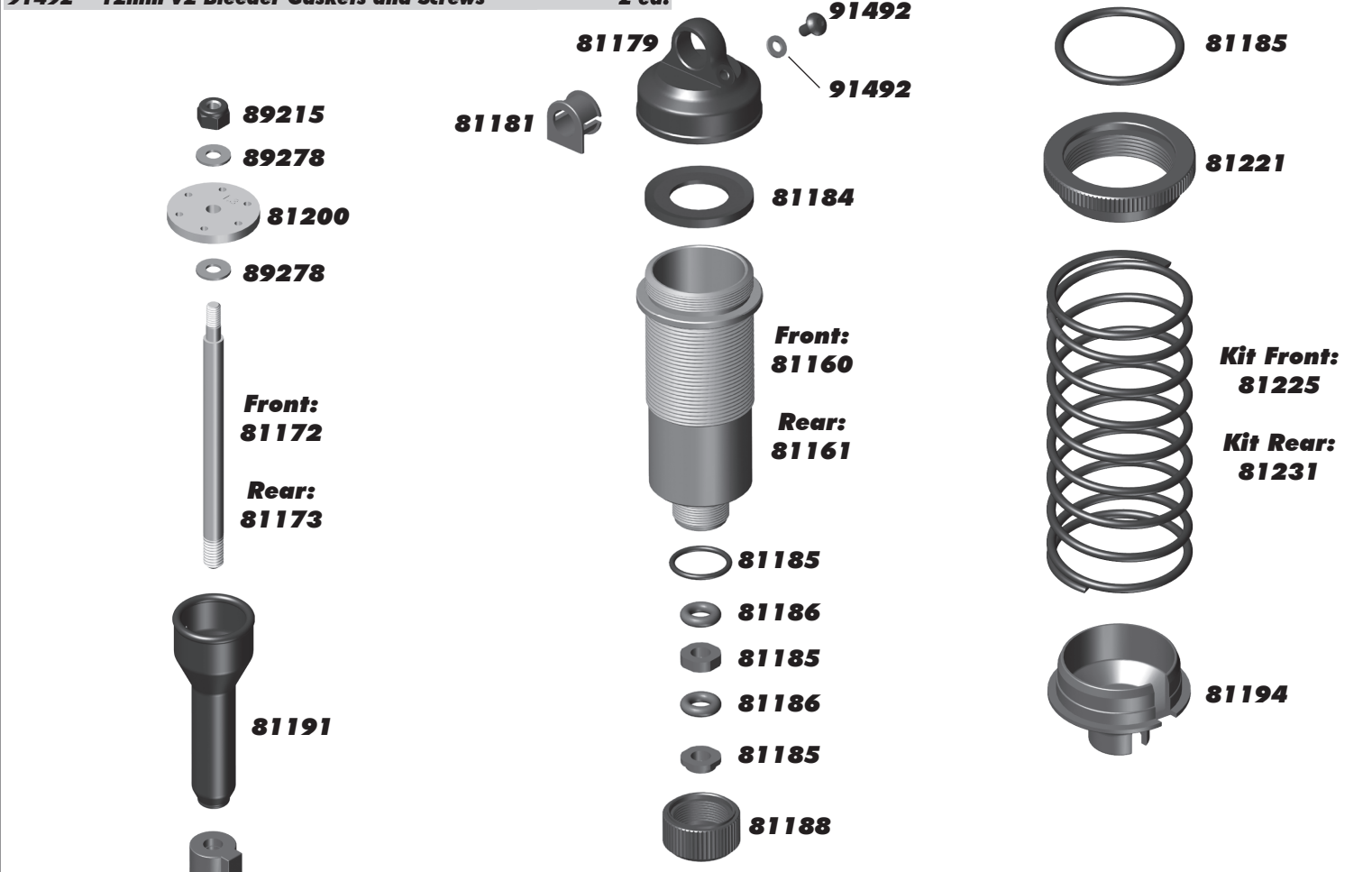
Most often the best way to get your car handling right is to go to our website www.rc10.com and click on the "Setup Sheets" link, then the link to your vehicle, then search for your vehicle. Our team of professional drivers help develop these setups at National events. Also, most drivers have a "base" setup that they use as a starting point for every event. Try running some of our base setups OR look for track conditions and tires that are similar to your local track and mimic that setup. Remember, each adjustment has a purpose, so copy everything from the setup sheet and then make adjustments based on the recommendations in here at <http://www.rc10.com/rc/tuning>.

:: Shocks

81156	RC8B3 Shock Kit (Front)	1
	- Requires #81172, 81191	
81157	RC8B3 Shock Kit (Rear)	1
	- Requires #81173, 81191	
81160	RC8B3 Shock Body, 30.5mm	2
81161	RC8B3 Shock Body, 39.5mm	2
81172	RC8T3 Shock Shaft, 33.5mm (TiN)	2
81173	RC8T3 Shock Shaft, 42.5mm (TiN)	2
81176	RC8T3 FT Chrome Shock Shafts, 3.5x33.5 mm	2
81177	RC8T3 FT Chrome Shock Shafts, 3.5x42.5 mm	2
81179	Bleeder Shock Caps, 16mm	2
81181	RC8B3 Shock Cap Insert	4
81184	Bleeder Shock Cap Seals, 16 mm	4
81185	RC8B3 Shock Rebuild Kit	1
81186	RC8B3 Shock O-Ring	8
81188	RC8B3 Shock Body Seal Retainer	2
81191	RC8T3 Shock Boots	4
81194	Shock Rod Ends & Spring Cups, 20mm	4 ea.
81200	RC8B3 Shock Pistons (6x1.3, 6x1.3 T, 8x1.2 T)	2 ea.
89215	M2.5 Locknut (silver)	10
81221	Spring Collars & O-Rings, 20mm	2 ea.
81407	RC8B3.1 Shock Seal Bushing Set	4 ea.
89278	Washer, 2.5mm	20
91492	12mm V2 Bleeder Gaskets and Screws	2 ea.

:: Shock Fluid

5420	10 Weight Silicone Shock Fluid	2oz.
5421	20 Weight Silicone Shock Fluid	2oz.
5422	30 Weight Silicone Shock Fluid	2oz.
5423	40 Weight Silicone Shock Fluid	2oz.
5424	22.5 Weight Silicone Shock Fluid	2oz.
5425	80 Weight Silicone Shock Fluid	2oz.
5426	27.5 Weight Silicone Shock Fluid	2oz.
5427	15 Weight Silicone Shock Fluid	2oz.
5428	25 Weight Silicone Shock Fluid	2oz.
5429	35 Weight Silicone Shock Fluid	2oz.
5430	45 Weight Silicone Shock Fluid	2oz.
5431	55 Weight Silicone Shock Fluid	2oz.
5432	32.5 Weight Silicone Shock Fluid	2oz.
5433	37.5 Weight Silicone Shock Fluid	2oz.
5434	42.5 Weight Silicone Shock Fluid	2oz.
5435	50 Weight Silicone Shock Fluid	2oz.
5436	60 Weight Silicone Shock Fluid	2oz.
5437	70 Weight Silicone Shock Fluid	2oz.
5438	47.5 Weight Silicone Shock Fluid	2oz.



:: Springs

81222	Front Spring, V2, 4.9lb/in, Green	Pr.
81223	Front Spring, V2, 5.1lb/in, White	Pr.
81224	Front Spring, V2, 5.3lb/in, Gray	Pr.
81225	Front Spring, V2, 5.5lb/in, Blue - KIT	Pr.
81226	Front Spring, V2, 5.7lb/in, Yellow	Pr.
81229	Rear Spring, V2, 4.1lb/in, White	Pr.
81230	Rear Spring, V2, 4.2lb/in, Gray	Pr.
81231	Rear Spring, V2, 4.3lb/in, Blue - KIT	Pr.
81232	Rear Spring, V2, 4.4lb/in, Yellow	Pr.

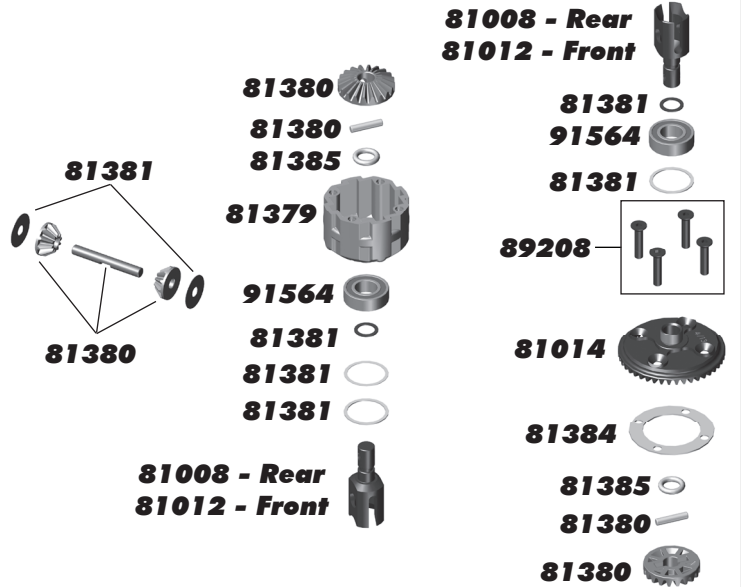
:: Differential Fluids

5444	Silicone Diff Fluid 4,000CST	1
5446	Silicone Diff Fluid 6,000CST	1
5447	Silicone Diff Fluid 15,000CST	1
5448	Silicone Diff Fluid 80,000CST	1
5450	Silicone Diff Fluid 1,000CST	1
5451	Silicone Diff Fluid 2,000CST	1
5452	Silicone Diff Fluid 3,000CST	1
5453	Silicone Diff Fluid 5,000CST	1
5454	Silicone Diff Fluid 7,000CST	1
5455	Silicone Diff Fluid 10,000CST	1
5456	Silicone Diff Fluid 20,000CST	1
5457	Silicone Diff Fluid 30,000CST	1
5458	Silicone Diff Fluid 60,000CST	1
5459	Silicone Diff Fluid 100,000CST	1
5461	Silicone Diff Fluid 200,000CST	1
5463	Silicone Diff Fluid 500,000CST	1
5464	Silicone Diff Fluid 1,000,000CST	1



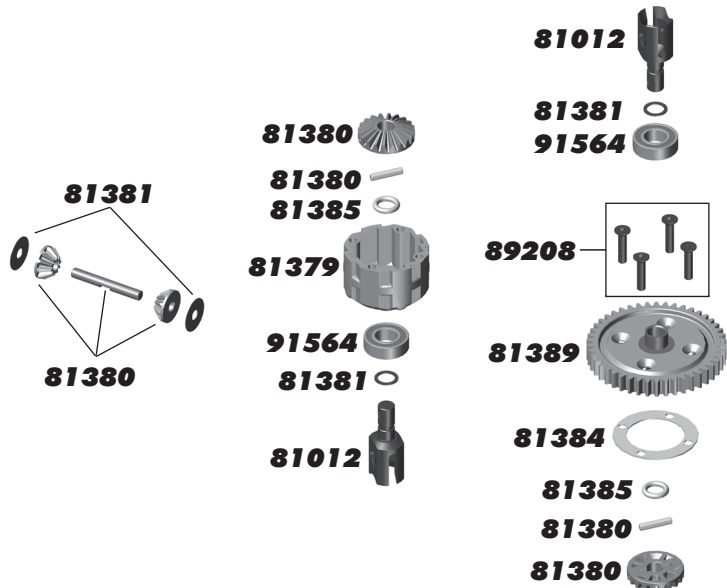
:: Front / Rear Gear Differential

81008	Diff Outdrives, 15mm, Rear Diff	2
81012	Diff Outdrives, 17mm, Front Diff	2
81014	RC8T3.1 Diff Ring Gear, 46T	1
81379	RC8B3.1 Differential Case	1
81380	RC8B3.1 Differential Gear Set (HTC) - KIT	1
81381	RC8B3.1 Differential Shim Set	1
81383	RC8B3.1 Differential Gear Set (LTC)	1
81384	RC8B3.1 Differential Gasket	3
81385	RC8B3.1 Differential O-Ring Set	1
89208	3 x 14mm FHCS	10
91564	8 x 16 x 5 Bearings	2



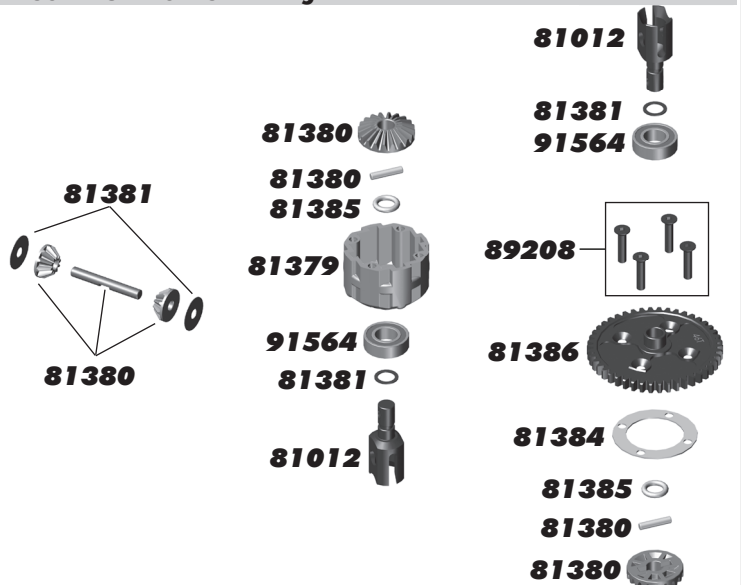
:: Center Gear Differential (RC8T3.1e)

81012	Diff Outdrives, 17mm, Center Diff	2
81379	RC8B3.1 Differential Case	1
81380	RC8B3.1 Differential Gear Set (HTC) - KIT	1
81381	RC8B3.1 Differential Shim Set	1
81383	RC8B3.1 Differential Gear Set (LTC)	1
81384	RC8B3.1 Differential Gasket	3
81385	RC8B3.1 Differential O-Ring Set	1
81389	RC8B3.1e Plastic Spur Gear, 46T - KIT	1
89208	3 x 14mm FHCS	10
91564	8 x 16 x 5 Bearings	2



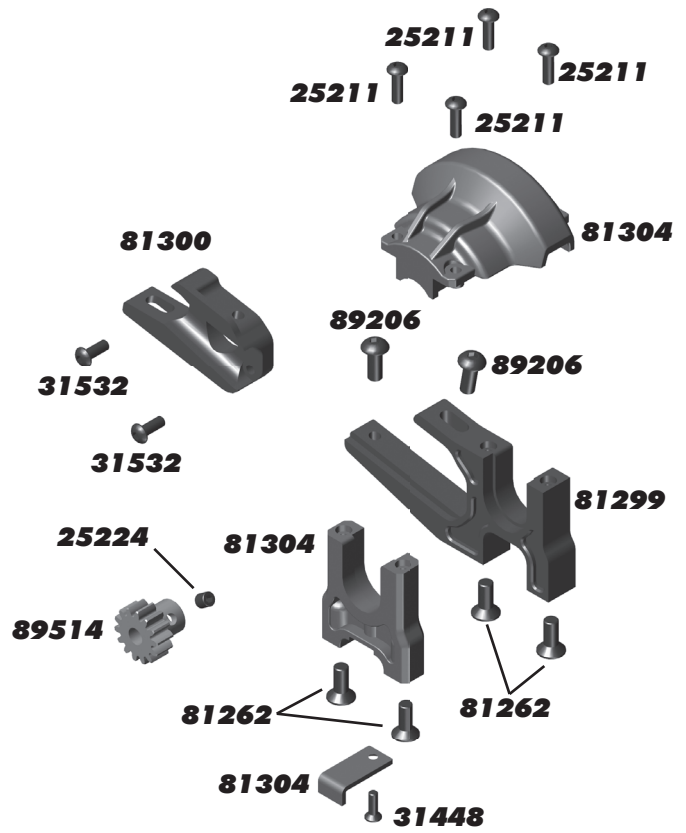
:: Center Gear Differential (RC8T3.1 Nitro)

81012	Diff Outdrives, 17mm, Center Diff	2
81379	RC8B3.1 Differential Case	1
81380	RC8B3.1 Differential Gear Set (HTC) - KIT	1
81381	RC8B3.1 Differential Shim Set	1
81383	RC8B3.1 Differential Gear Set (LTC)	1
81384	RC8B3.1 Differential Gasket	3
81385	RC8B3.1 Differential O-Ring Set	1
81386	RC8B3.1 Spur Gear, 46T - KIT	1
81387	RC8B3.1 Spur Gear, 47T	1
81388	RC8B3.1 Spur Gear, 48T	1
89208	3 x 14mm FHCS	10
91564	8 x 16 x 5 Bearings	2



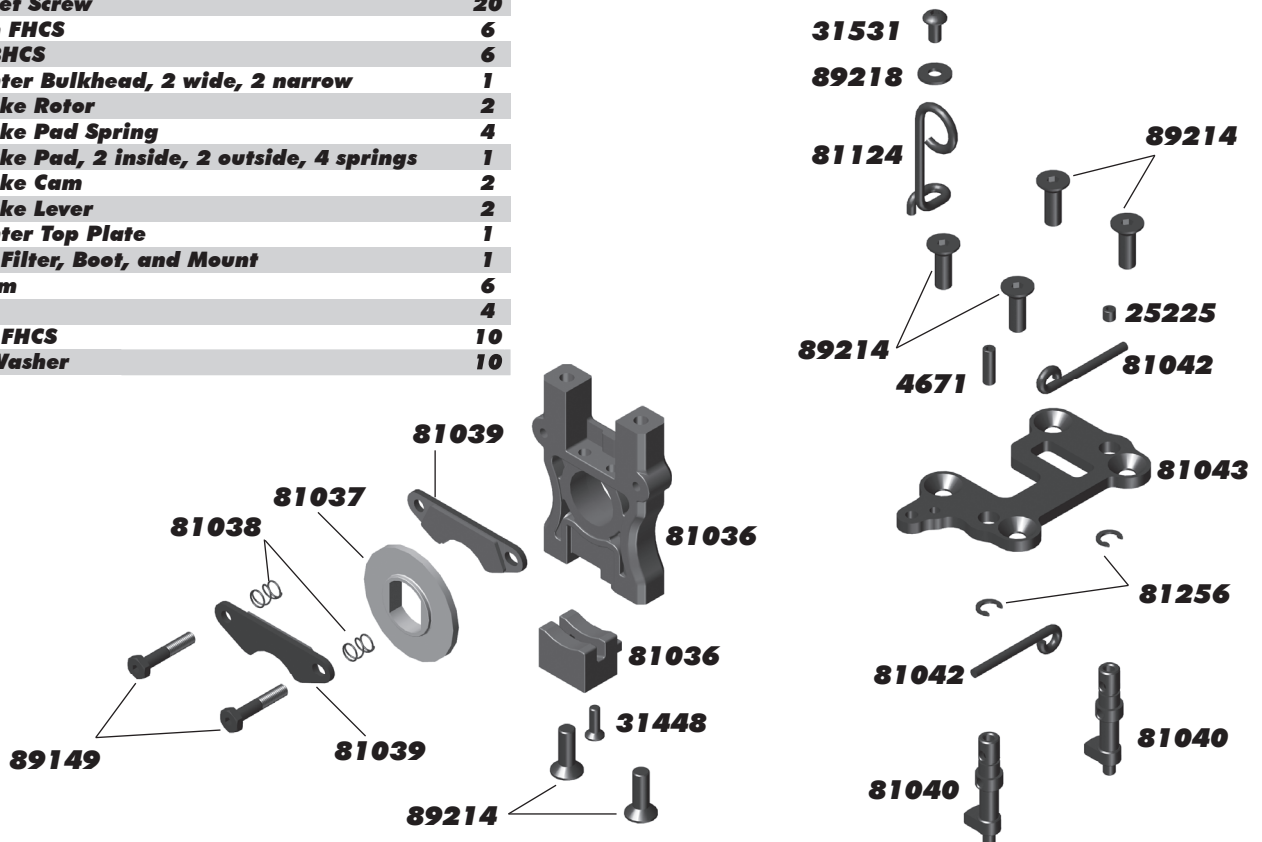
:: Center Bulkhead (RC8T3.1e)

25211	3 x 10mm BHCS	20
25224	M4 x 4mm Set Screw	20
31448	2.5 x 8mm FHCS	6
31532	3 x 8mm BHCS	6
81262	4 x 10mm FHCS	6
81299	RC8B3e Motor Mount	1
81300	RC8B3e Motor Mount Slide	1
81304	RC8B3e Center Bulkhead / Cover / Guide	1
89206	4 x 10mm BHCS	10
89512	Pinion, 12T	1
89513	Pinion, 13T	1
89514	Pinion, 14T	1
89515	Pinion, 15T	1
89516	Pinion, 16T	1
89517	Pinion, 17T	1
89593	Pinion, 18T	1
89594	Pinion, 19T	1
89595	Pinion, 20T	1



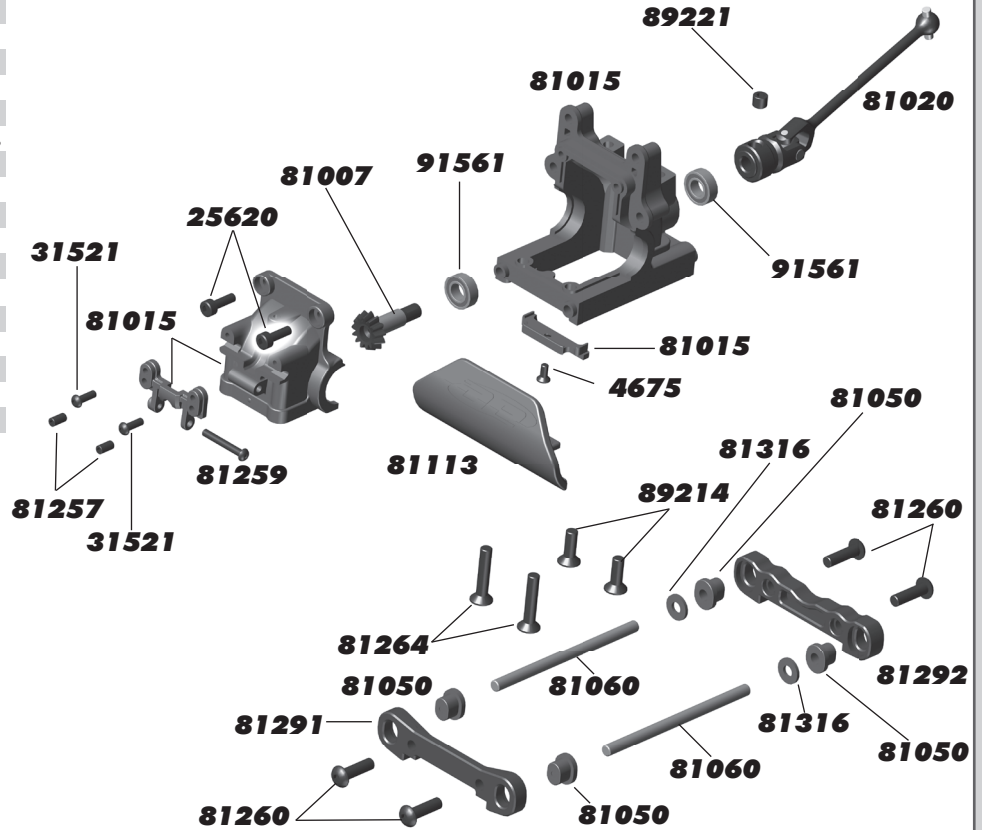
:: Center Bulkhead (RC8T3.1 Nitro)

4671	3 x 10mm Set Screw	6
25225	3 x 3mm Set Screw	20
31448	2.5 x 8mm FHCS	6
31531	3 x 6mm BHCS	6
81036	RC8B3 Center Bulkhead, 2 wide, 2 narrow	1
81037	RC8B3 Brake Rotor	2
81038	RC8B3 Brake Pad Spring	4
81039	RC8B3 Brake Pad, 2 inside, 2 outside, 4 springs	1
81040	RC8B3 Brake Cam	2
81042	RC8B3 Brake Lever	2
81043	RC8B3 Center Top Plate	1
81124	RC8B3 Air Filter, Boot, and Mount	1
81256	C-Clip, 5mm	6
89149	Brake Bolt	4
89214	4 x 12mm FHCS	10
89218	3 x 8mm Washer	10



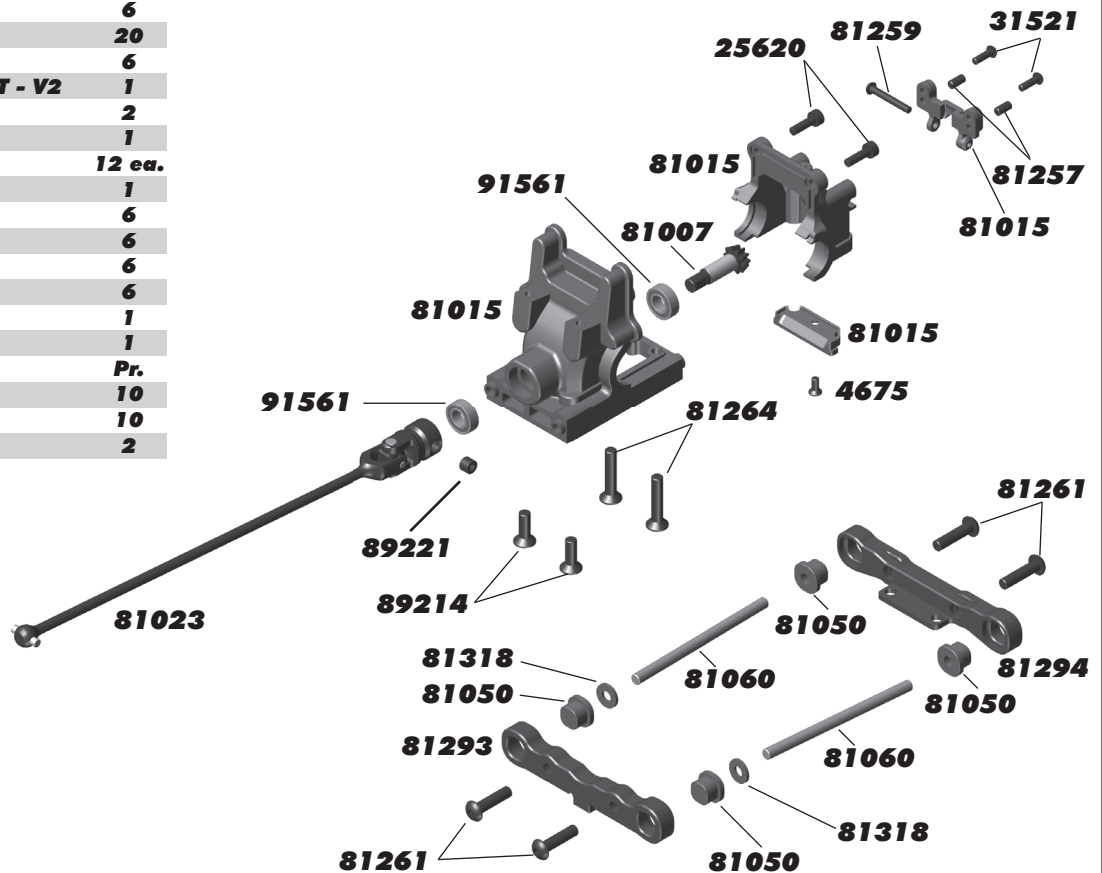
:: Front Gearbox

4675	2.5 x 6mm FHCS	6
25620	3 x 10mm SHCS	20
31521	2.5 x 8mm BHCS	6
81007	RC8B3 Diff Pinion Gear, 10T - V2	1
81015	RC8B3 Gearbox	2
81020	RC8B3 Center Universal, 76mm	1
81050	RC8B3 Arm Mount Insert	12 ea.
81060	RC8B3 Hinge Pin Set	1
81113	RC8B3 Front Bumper	1
81257	3 x 6mm Set Screw	6
81259	2.5 x 18mm BHCS	6
81260	4 x 14mm BHCS	6
81264	4 x 20mm FHCS	6
81291	RC8B3.1 Arm Mount, A	1
81292	RC8B3.1 Arm Mount, B	1
81316	RC8T3 Front Arms/Shims	Pr.
89214	4 x 12mm FHCS	10
89221	5 x 4mm Set Screw	10
91561	Bearing, 6 x 12 x 4mm	2



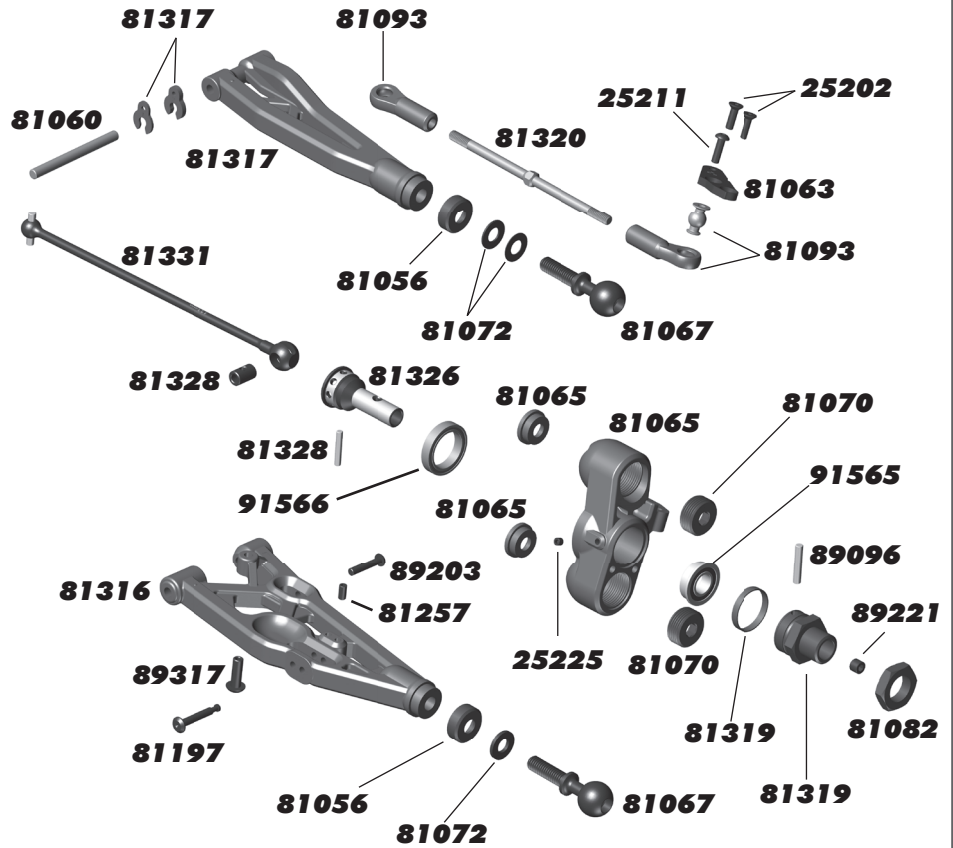
:: Rear Gearbox

4675	2.5 x 6mm FHCS	6
25620	3 x 10mm SHCS	20
31521	2.5 x 8mm BHCS	6
81007	RC8B3 Diff Pinion Gear, 10T - V2	1
81015	RC8B3 Gearbox	2
81023	Center Universal, 165mm	1
81050	RC8B3 Arm Mount Insert	12 ea.
81060	RC8B3 Hinge Pin Set	1
81257	3 x 6mm Set Screw	6
81259	2.5 x 18mm BHCS	6
81261	4 x 16mm BHCS	6
81264	4 x 20mm FHCS	6
81293	RC8B3 Arm Mount C, HRC	1
81294	RC8B3 Arm Mount D, HRC	1
81318	RC8T3 Rear Arms/Shims	Pr.
89214	4 x 12mm FHCS	10
89221	5 x 4mm Set Screw	10
91561	FT Bearing, 6 x 12 x 4mm	2



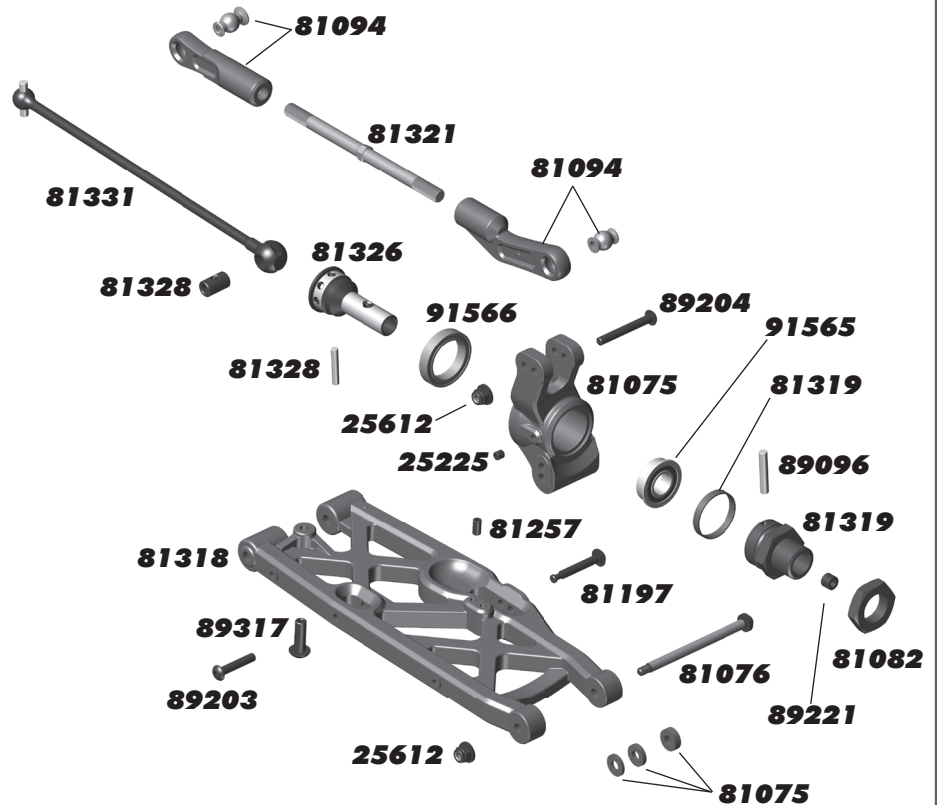
:: Front Suspension

25202	3 x 10mm FHCS	20
25211	3 x 10mm BHCS	20
25225	3 x 3mm Set Screw	20
81056	RC8B3 Suspension Arm Endcap	4
81060	RC8B3 Hinge Pin Set	1
81063	Steering Block Arms, +2 deg., alum.	Pr.
81065	RC8B3 Steering Block	Pr.
81067	RC8B3 Pillow Ball	2
81070	RC8B3 Pillow Ball Nut	4
81072	RC8B3 Pillow Ball Shim	6
81082	RC8B3 Wheel Nuts, 17mm Blue	2
81093	RC8B3 Rod End, 4mm (4 ball joints, 2 rod ends, 2 offset rod ends)	1
81197	RC8B3 Shock Pin	4
81257	3 x 6mm Set Screw	6
81316	RC8T3 Front Arm and Shims	Pr.
81317	RC8T3 Front Upper Arms and Clips	Pr.
81319	17mm Hex Drives, 11.5mm Offset	2
81320	4 x 85mm Turnbuckle	2
81326	RC8B3 CVA Axle, Steel	2
81328	FT RC8B3 CVA Rebuild Kit	2
81331	RC8T3 CVA Bones, 133mm	2
89096	Wheel Hex Pin	4
89203	3 x 16mm BHCS	10
89221	5 x 4mm Set Screw	10
89317	Droop Screw	8
91565	FT Flanged Bearing, 8 x 16 x 5	4
91566	FT Bearings, 15 x 21 x 4mm	4



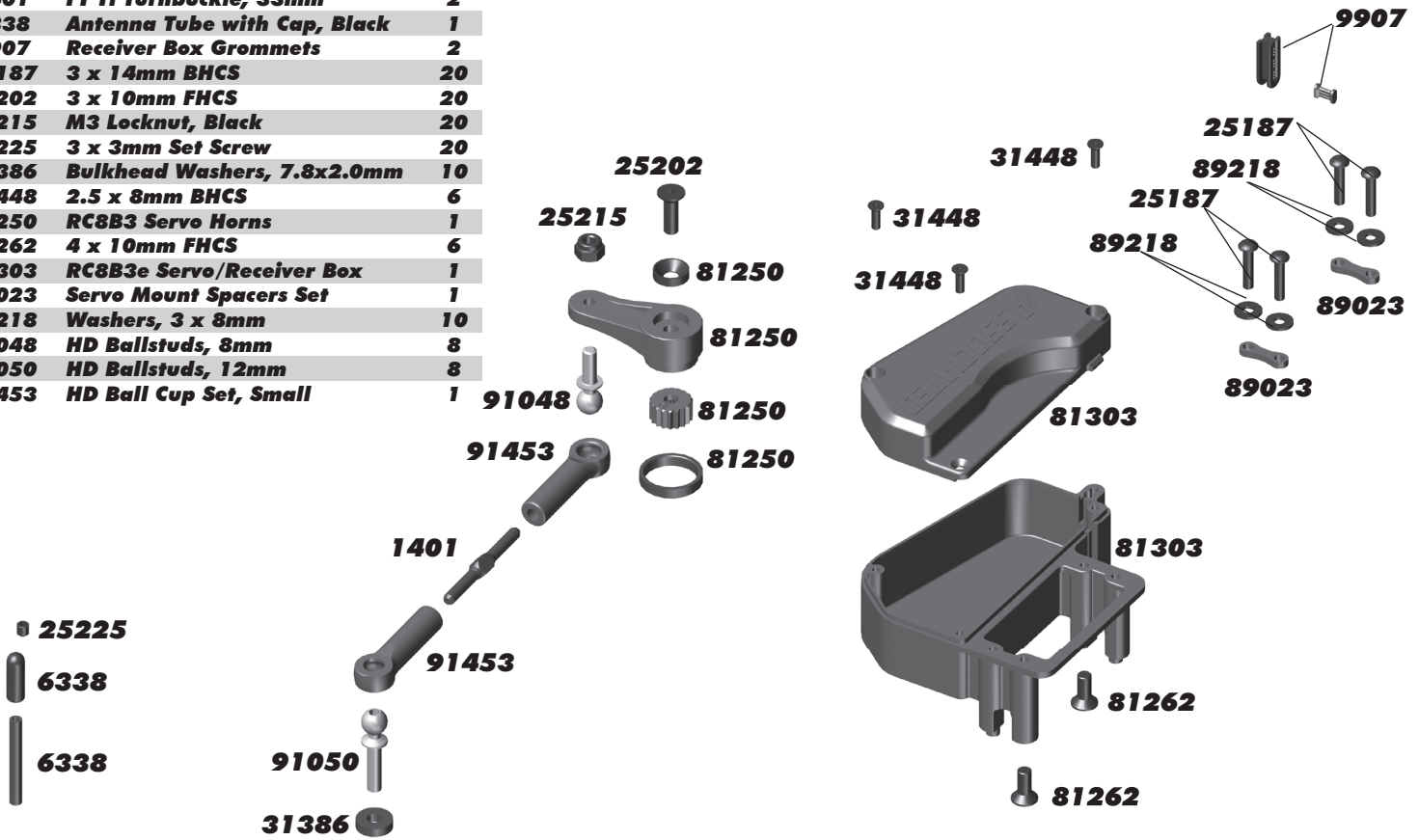
:: Rear Suspension

25225	3 x 3mm Set Screw	20
25612	M3 Locknut with Flange, Black	20
81075	RC8B3 Rear Hub	Pr.
81076	RC8B3 Hub Hinge Pin	2
81082	RC8B3 Wheel Nuts, 17mm Blue	2
81094	RC8B3 Rod End, 5mm (4 ball joints, 2 rod ends, 2 offset rod ends)	1
81197	RC8B3 Shock Pin	4
81257	3 x 6mm Set Screw	6
81318	RC8T3 Rear Arms	Pr.
81319	17mm Hex Drives, 11.5mm Offset	2
81321	Turnbuckle, 5 x 80mm	2
81326	RC8B3 CVA Axle, Steel	2
81328	FT RC8B3 CVA Rebuild Kit	2
81331	RC8T3 CVA Bones, 133mm	2
89096	Wheel Hex Pin	4
89203	3 x 16mm BHCS	10
89204	3 x 24mm BHCS	10
89221	5 x 4mm Set Screw	10
89317	Droop Screw	8
91565	FT Flanged Bearing, 8 x 16 x 5	4
91566	FT Bearings, 15 x 21 x 4mm	4



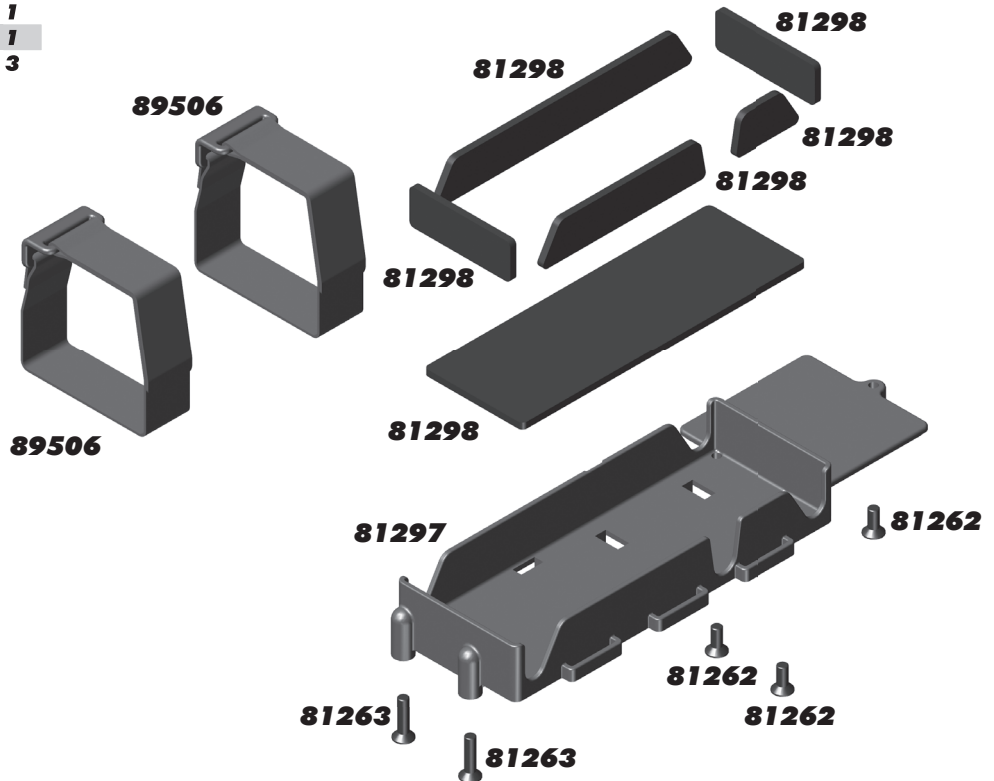
:: Radio Tray / Servo Linkage (RC8T3.1e)

1401	FT Ti Turnbuckle, 33mm	2
6338	Antenna Tube with Cap, Black	1
9907	Receiver Box Grommets	2
25187	3 x 14mm BHCS	20
25202	3 x 10mm FHCS	20
25215	M3 Locknut, Black	20
25225	3 x 3mm Set Screw	20
31386	Bulkhead Washers, 7.8x2.0mm	10
31448	2.5 x 8mm BHCS	6
81250	RC8B3 Servo Horns	1
81262	4 x 10mm FHCS	6
81303	RC8B3e Servo/Receiver Box	1
89023	Servo Mount Spacers Set	1
89218	Washers, 3 x 8mm	10
91048	HD Ballstuds, 8mm	8
91050	HD Ballstuds, 12mm	8
91453	HD Ball Cup Set, Small	1



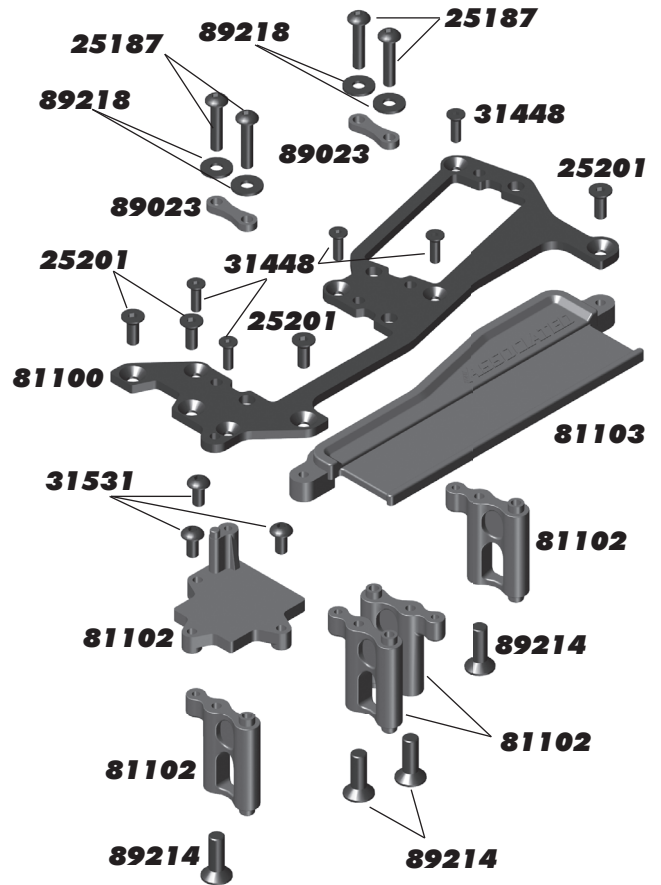
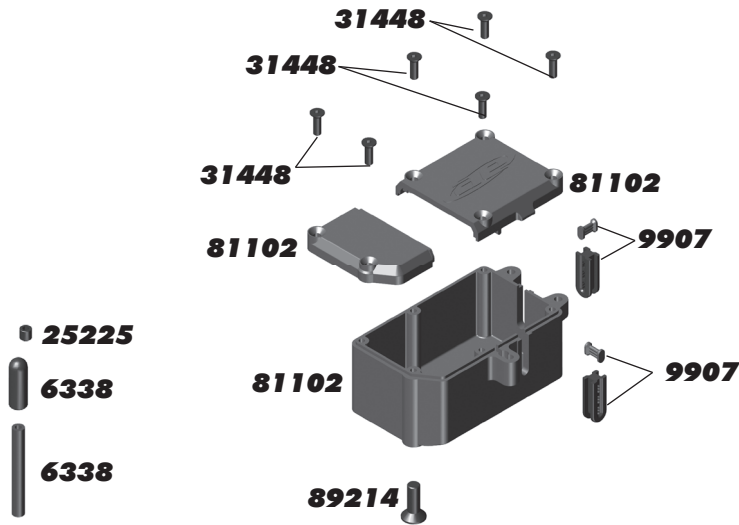
:: Battery Tray (RC8T3.1e)

81262	4 x 10mm FHCS	6
81263	4 x 16mm FHCS	6
81297	RC8B3e Battery Tray	1
81298	RC8B3e Battery Foams	1
89506	Hook and Loop Fastener Battery Strap	3



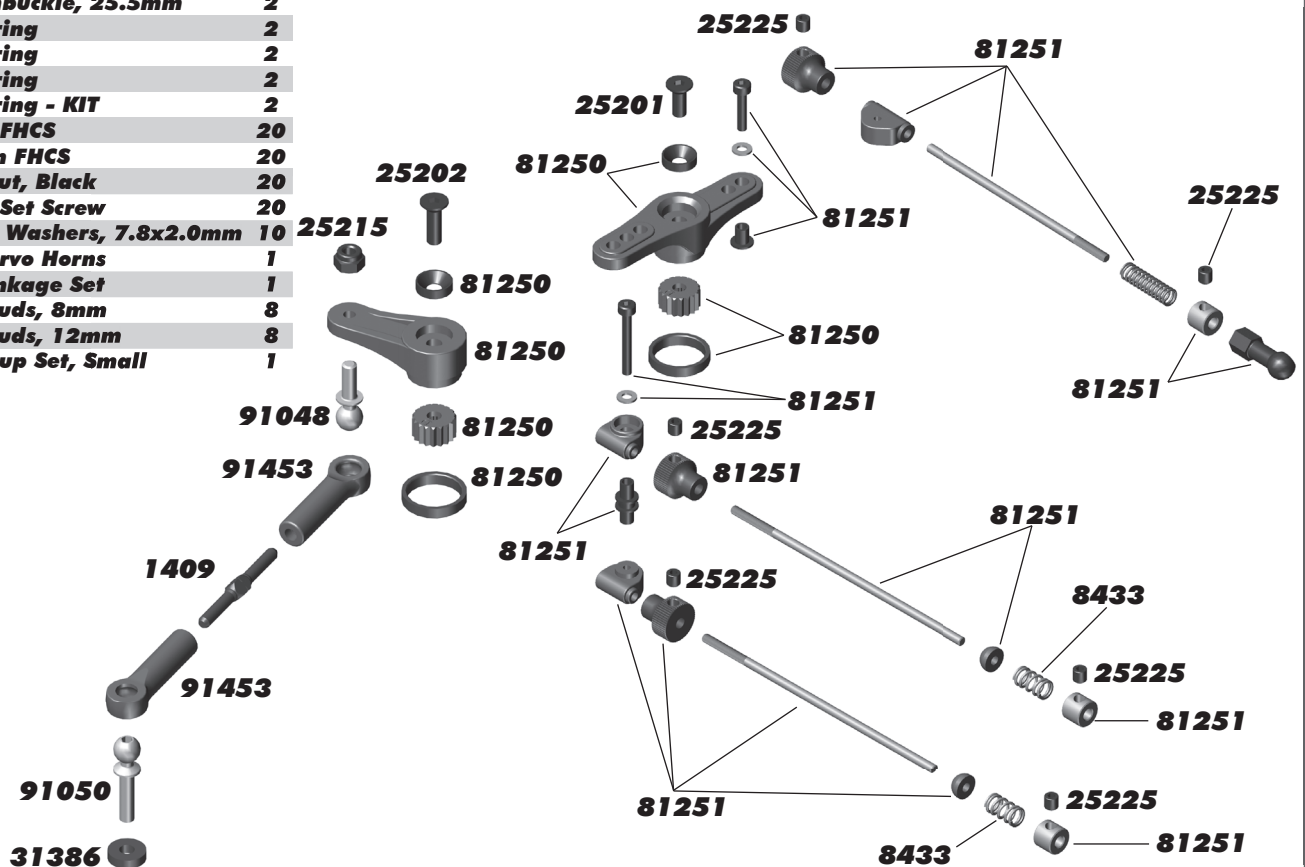
:: Radio Tray (RC8T3.1 Nitro)

6338	Antenna Tube with Cap, Black	1
9907	Receiver Box Grommets	2 ea.
25187	3 x 14mm BHCS	20
25201	3 x 8mm FHCS	20
25225	3 x 3mm Set Screw	20
31448	2.5 x 8mm FHCS	6
31531	3 x 6mm BHCS	6
81100	RC8B3 Radio Tray	1
81102	RC8B3 Receiver Box	1
81103	RC8B3 Receiver Battery Tray	1
89023	Servo Mount Spacers	1
89214	4 x 12mm FHCS	10
89218	3 x 8mm Washer	10



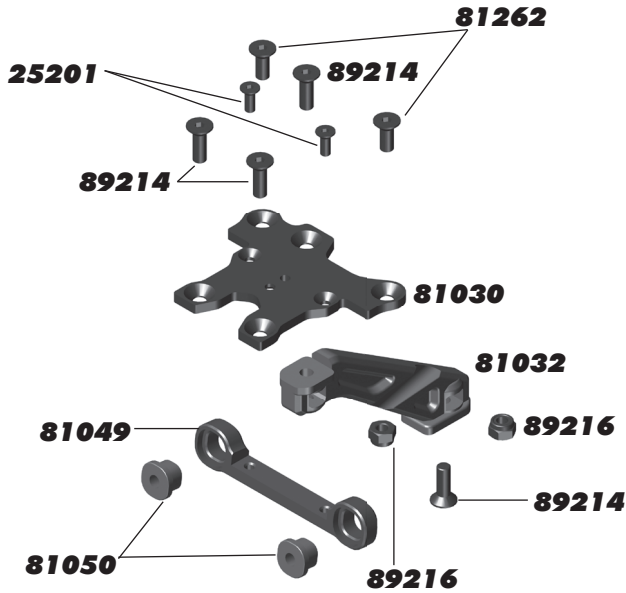
:: Linkage (RC8T3.1 Nitro)

1409	FT Ti Turnbuckle, 25.5mm	2
8427	.018" Spring	2
8429	.020" Spring	2
8431	.022" Spring	2
8433	.024" Spring - KIT	2
25201	3 x 8mm FHCS	20
25202	3 x 10mm FHCS	20
25215	M3 Locknut, Black	20
25225	3 x 3mm Set Screw	20
31386	Bulkhead Washers, 7.8x2.0mm	10
81250	RC8B3 Servo Horns	1
81251	RC8B3 Linkage Set	1
91048	HD Ballstuds, 8mm	8
91050	HD Ballstuds, 12mm	8
91453	HD Ball Cup Set, Small	1



:: Front Chassis Brace

25201	3 x 8mm FHCS	20
81030	RC8B3 Top Plate	1
81032	RC8B3 Chassis Brace	Pr.
81049	RC8B3 Upper Link Mount	1
81050	RC8B3 Arm Mount Insert	12 ea.
81262	4 x 10mm FHCS	6
89214	4 x 12mm FHCS	10
89216	M4 Locknut	10



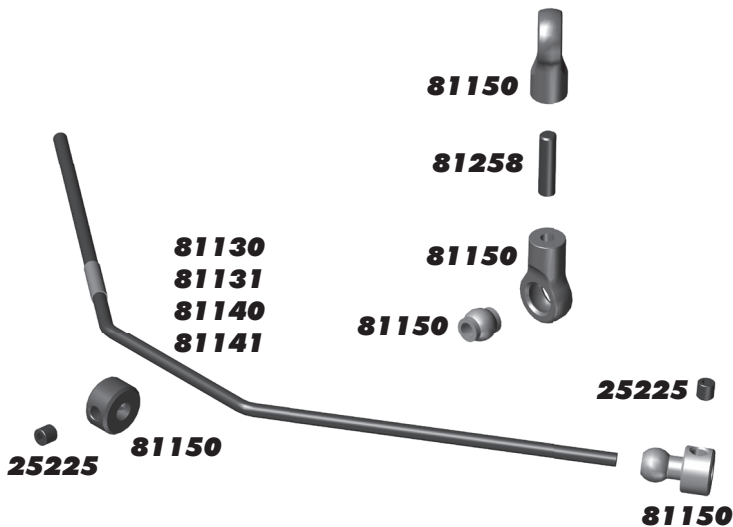
:: Rear Chassis Brace

25188	3 x 20mm BHCS	20
25215	M3 Locknut, Black	20
81032	RC8B3 Chassis Brace	Pr.
89214	4 x 12mm FHCS	10
89216	M4 Locknut	10



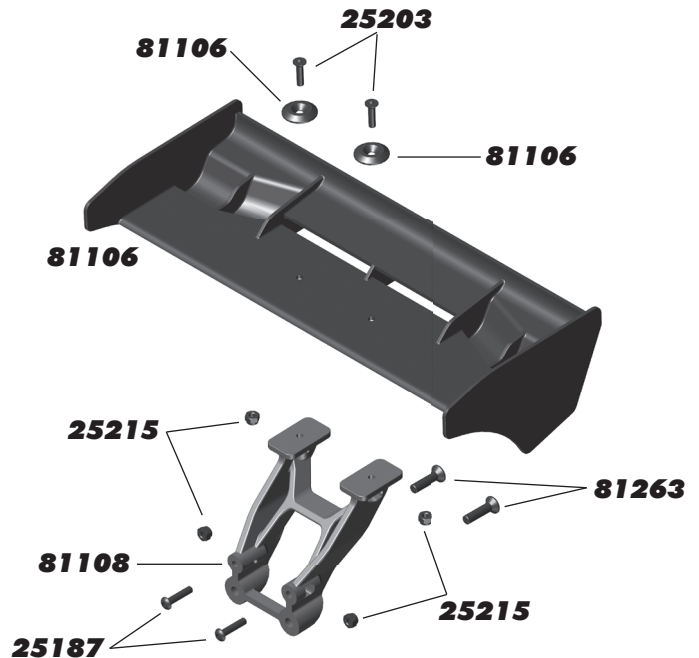
:: Anti-Roll Bars

25225	3 x 3mm Set Screw	20
81130	RC8B3 Front Anti-Roll Bars, (2.3 - Black, 2.4 - Green, 2.5 - White)	1 ea.
81131	RC8B3 Front Anti-Roll Bars, (2.6 - Gray, 2.7 - Blue, 2.8 - Yellow)	1 ea.
81140	RC8B3 Rear Anti-Roll Bars, (2.5 - White, 2.6 - Gray, 2.7 - Blue)	1 ea.
81141	RC8B3 Rear Anti-Roll Bars, (2.8 - Yellow, 2.9 - Red, 3.0 - Orange)	1 ea.
81150	RC8B3 Anti-Roll Bar Drop Link / Collet	1
81258	3 x 12mm Set Screw	6



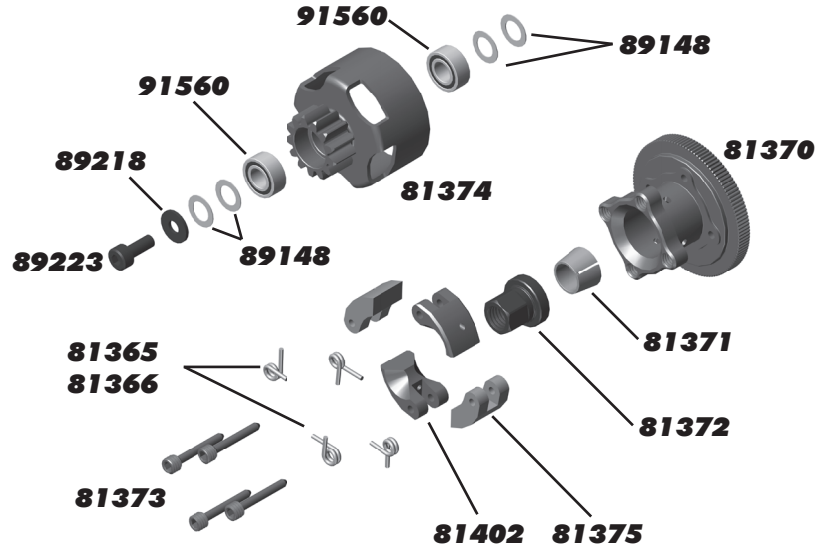
:: Wing

25187	3 x 14mm BHCS	20
25203	3 x 12mm FHCS	20
25215	M3 Locknut, Black	20
81106	RC8B3 Wing, Black (1 wing, 2 wing buttons)	1
81108	RC8B3 Wing Mount, 1 low	1
81109	RC8B3 Wing Mount, high (+8mm)	1
81263	4 x 16mm FHCS	6



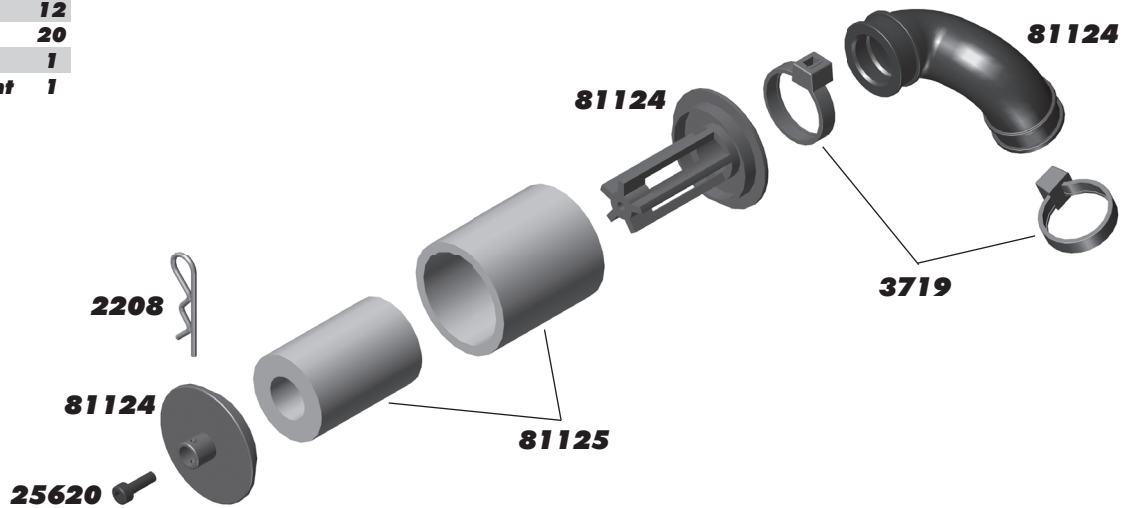
:: Clutch (RC8T3.1 Nitro)

81365	Clutch Springs (0.90, 4 Shoe) - KIT	4
81366	Clutch Springs (0.95, 4 Shoe) - KIT	4
81367	Clutch Springs (1.00, 4 Shoe)	4
81368	Clutch Springs (1.05, 4 Shoe)	4
81369	Clutch Springs (1.10, 4 Shoe)	4
81370	RC8B3.1 Flywheel (4 Shoe)	1
81371	RC8B3.1 Flywheel Collet (4 Shoe)	2
81372	RC8B3.1 Flywheel Nut (4 Shoe)	1
81373	Clutch Shoe Pins (4 Shoe)	4
81374	Clutch Bell (13T, Vented, 4 Shoe)	1
81375	Clutch Shoe, Hard (4 Shoe) - KIT	2
81377	Clutch Shoe, Composite Hard (4 Shoe)	2
81402	Clutch Shoe, Composite (4 Shoe) - KIT	2
89148	Clutch Bell Shim Set	1
89218	3 x 8mm Washer	10
89223	3 x 8mm SHCS	10
91560	5 x 10 x 4mm Bearing	2



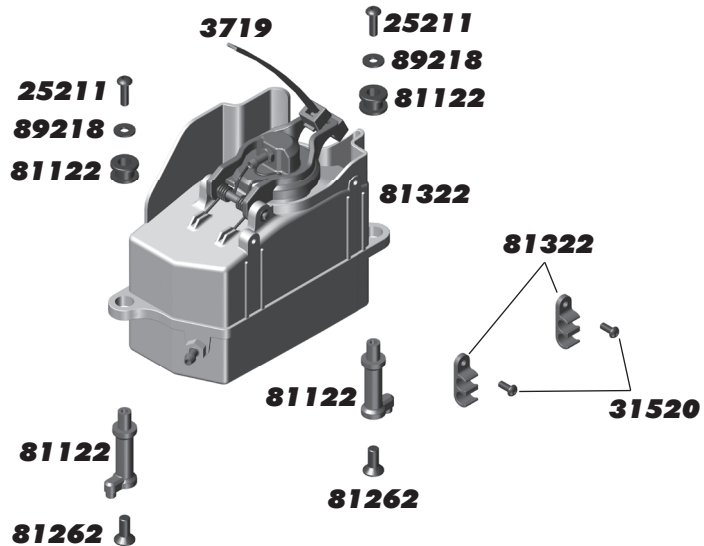
:: Air Filter (RC8T3.1 Nitro)

2208	Large Hood Pins	6
3719	Nylon Wire Tie, 6"	12
25620	3 x 10mm SHCS	20
81124	RC8B3 Air Filter & Boot	1
81125	RC8B3 Air Filter Element	1



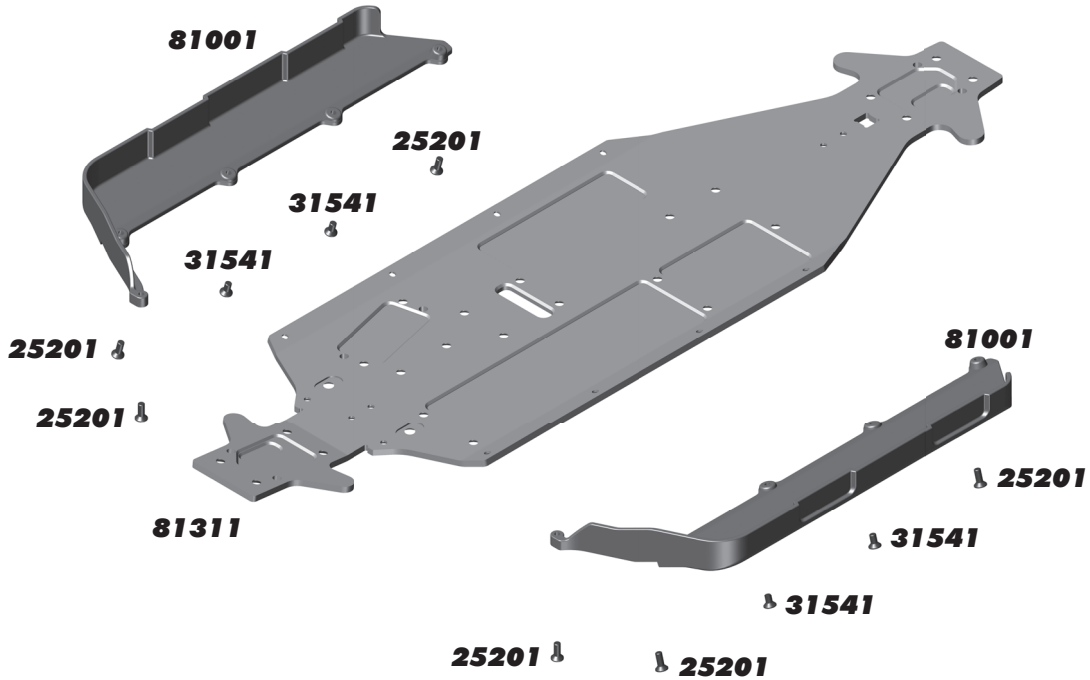
:: Fuel Tank (RC8T3.1 Nitro)

3719	Nylon Wire Tie, 6"	1
25211	3 x 10mm BHCS	20
31520	2.5 x 6mm BHCS	6
81122	RC8B3 Tank Post / Grommet	2 ea.
81262	4 x 10mm FHCS	6
81322	RC8T3 Fuel Tank	1
89218	3 x 8mm Washer	10



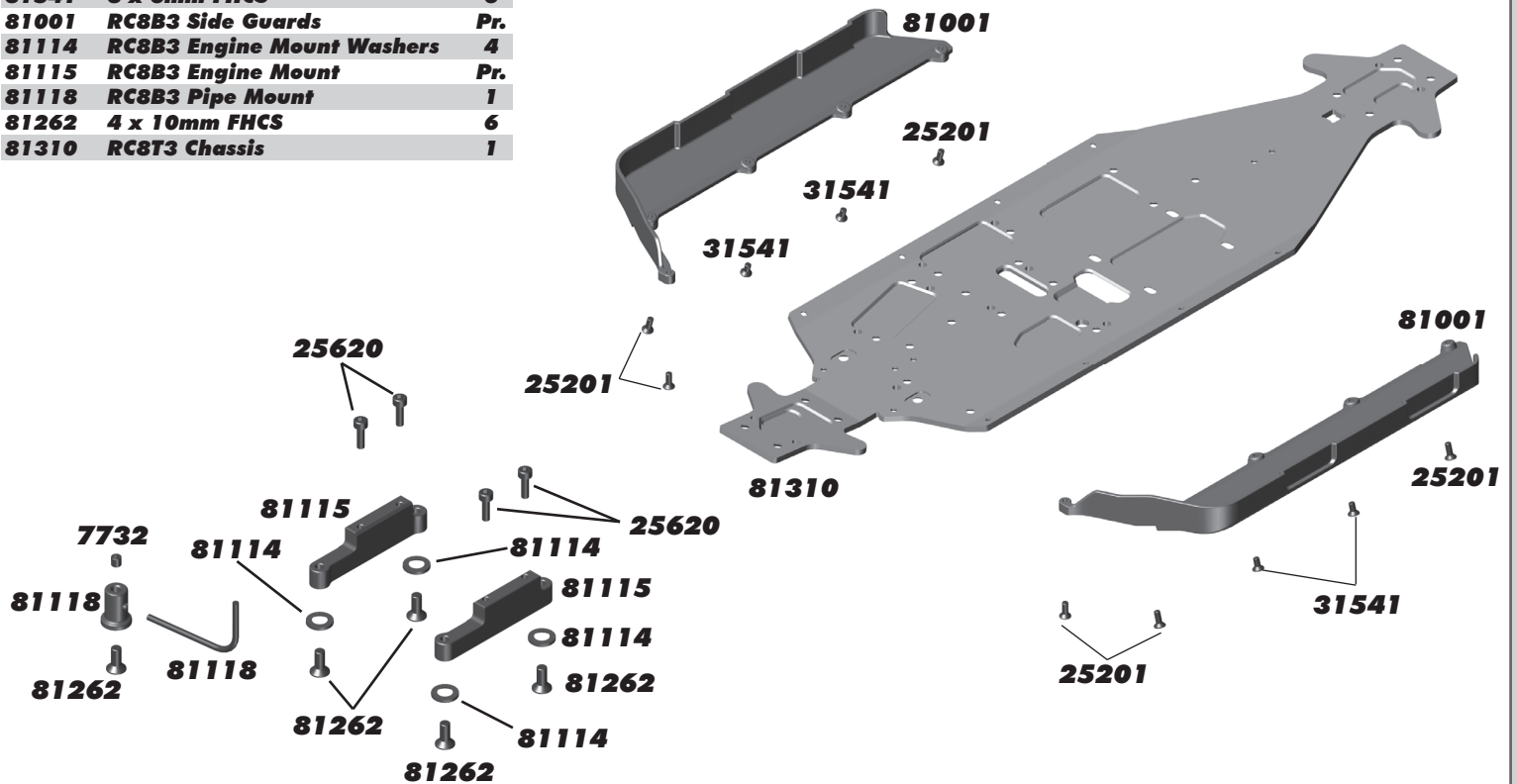
:: Chassis (RC8T3.1e)

25201	3 x 8mm FHCS	20
31541	3 x 6mm FHCS	6
81001	RC8B3 Side Guards	Pr.
81311	RC8T3e Chassis	1



:: Chassis (RC8T3.1 Nitro)

7732	4 x 4mm Set Screw	6
25201	3 x 8mm FHCS	20
25620	3 x 10mm SHCS	20
31541	3 x 6mm FHCS	6
81001	RC8B3 Side Guards	Pr.
81114	RC8B3 Engine Mount Washers	4
81115	RC8B3 Engine Mount	Pr.
81118	RC8B3 Pipe Mount	1
81262	4 x 10mm FHCS	6
81310	RC8T3 Chassis	1



:: Factory Team and Option Parts

2357	Rear Exhaust Manifold Springs	2
7733	Exhaust Tubing Coupler	1
25094	Exhaust Manifold Springs	2
25392	3mm Blue Locknut, Flanged	10
27128	Servo Washers, aluminum, black	4
29213	Servo Wire Extension, 3"	1
31550	M3 Aluminum Lock Nut	6
81064	FT RC8B3 Graphite Steering Block Arms, +2 deg.	Pr.
81068	Factory Team Aluminum Pillow Balls	2
81077	Factory Team Aluminum Rear Hubs	Pr.
81085	Servo Saver Arm, aluminum	1
81092	FT Aluminum Steering Bellcrank Posts	2
81116	RC8B3 FT Engine Mount Base	1
81117	RC8B3 FT Engine Mounts	Pr.
81301	RC8B3 Chassis Braces, short (front and rear)	1
81327	Factory Team RC8B3 Aluminum CVA Axle	2
81396	Clutch Bell 14T, vented, 4 shoe	1
81405	RC8B3.1 FT Chassis Weight, 15g	1
81406	RC8B3.1 FT Chassis Weight, 30g	1
81407	RC8B3.1 Shock Seal Bushing Set	4 ea.
81410	RC8B3.1 Shock Bushings, blue aluminum	4
81413	RC8B3 FT Rigid Engine Mount	1
89094	Nyloc Wheel Hex Nuts, Blue	2
89123	RC8 Heatsink Brake Disc	2
89147	Header Gasket	4
89405	Nyloc Wheel Nuts (Silver)	4
89406	Nyloc Wheel Nuts (Black)	4
92100	FT Aluminum Wing Buttons	2

:: Reedy Batteries / Chargers**Batteries**

302	AA Alkaline 1.5V (4)	1
304	LiPo Pro TX/RX Battery 1600mAh 7.4V Flat	1
305	LiFe Pro TX/RX Battery 1300mAh 6.6V Flat	1
324	LiPo 20C 2100mAh 14.8V Starter Box	1
325	LiPo 55C 5200mAh 14.8V	1
613	NiMH RX Battery 1600mAh 6.0V Flat	1
636	6.0V 5A Voltage Regulator	1
756	Wolfpack LiPo 4000mAh 35C 14.8V w/T-Plug	1
757	Wolfpack LiPo 5400mAh 30C 14.8V w/T-Plug	1
27312	Zappers LiPo 100C 6400mAh 15.2V	1
27313	LiPo Pro TX/RX 2400mAh 7.4V Flat	1
27315	LiFe Pro TX/RX 1600mAh 6.6V Flat	1
27327	Zappers SG HV-LiPo 110C 5200mAh 15.2V LP	1
27328	Zappers SG HV-LiPo 110C 6400mAh 15.2V	1

Charger

27200	1216-C2 Dual AC/DC Comp. Battery Charger	1
27200CN	1216-C2 Dual AC/DC Comp. Charger - CHN Plug	1
27200EU	1216-C2 Dual AC/DC Comp. Charger - EURO Plug	1
27200UK	1216-C2 Dual AC/DC Comp. Charger - UK Plug	1
27201	324-S AC LiPo/LiFe Compact Balance Charger	1
27201C3	324-S Charger w/4500mAh 11.1V LiPo Battery	1

Charger Accessories

998	5.0mm 4S Balance Charge Lead (4mm)	1
27220	7-in-1 Universal Charge Lead (4mm)	1
27221	T-plug Charge Lead (4mm)	1
27222	XH 2-6S Balance Board (4mm)	1
27223	RX Charger Lead FUT (4mm)	1
27224	US to IEC 320 C5 angle 1M AC Power Cord	1
27225	US to IEC 320 C5 angle .5M AC Power Cord	1
27226	EU to IEC 320 C5 angle 1M AC Power Cord	1
27227	UK to IEC 320 C5 angle 1M AC Power Cord	1
27228	AU to IEC 320 C5 angle 1M AC Power Cord	1
27229	CN to IEC 320 C5 angle 1M AC Power Cord	1

:: Reedy Motors

905	1515-SL4 2000kV 4-pole Sensorless Brushless Motor	1
978	Flat Sensor Wire 70mm	1
979	Flat Sensor Wire 110mm	1
980	Flat Sensor Wire 150mm	1
981	Flat Sensor Wire 200mm	1
982	Flat Sensor Wire 270mm	1
994	Flat Sensor Wire 125mm	1
995	Flat Sensor Wire 175mm	1
27405	Sonic 866 Competition 1/8 Buggy Motor 1900kV	1
27406	Sonic 866 Competition 1/8 Buggy Motor 2100kV	1
27407	Sonic 877 Competition 1/8 Truggy Motor 2000kV	1
27408	Sonic 866 Rotor - Standard	1
27409	Sonic 866 Rotor - Low-Torque	1
27410	Sonic 877 Rotor- Standard	1
27411	Sonic 866/877 Screw Set (11 pcs.)	1
27412	Sonic 866/877 Bearing Set (pr.)	1
27413	Sonic 866/877 Sensor Board w/Bearing	1

:: Reedy Electronics**ESC'S**

27007	Blackbox 850R Comp. 1/8 ESC	1
27008	Blackbox 850R Comp. 1/8 ESC w/Programmer	1
27027	Blackbox PROgrammer2	1
27030	Blackbox ESC/Programmer2 Connection Wire	1
27032	Blackbox 850R 30x30x10mm Fan w/screw	1
29181	SC1000-BL Brushless ESC	1
29183	SC1000-BL/DB Fan	1
29184	SC800-BL/SC1000-BL/SC1000-DB/SC600-BL Switch	1

Servos

27100	RS1206 Digital HV Hi-Speed Competition Servo	1
27101	RT1508 Digital HV Hi-Torque Competition Servo	1
27102	RS1206 Servo Case Set w/screws	1
27103	RS1206 Servo Gear Set	1
27104	RT1508 Servo Case Set w/screws	1
27105	RT1508 Servo Gear Set	1
27106	RS1806A Digital HV Hi-Speed Alum. Comp. Servo	1
27107	RT2207A Digital HV Hi-Speed Alum. Comp. Servo	1
27111	1514MG Digital RTR Servo	1
27120	RS1806A Servo Gear Set	1
27121	RT2207A Servo Gear Set	1
27130	1514MG Servo Gear Set	1

Accessories

643	Low Profile Bullet Plug 4mm x 14mm (2)	1
644	Low Profile Bullet Plug 4mm x 14mm (10)	1
645	Low Profile Bullet Plug 5mm x 14mm (2)	1
646	Low Profile Bullet Plug 5mm x 14mm (10)	1
647	Silicone Wire 12AWG-Black (1m)	1
648	Silicone Wire 14AWG-Black (1m)	1
650	Shrink Tubing - 15pcs 4.5mm x 20mm	1
790	Silicone Wire 13AWG-Black (1m)	1
791	Silicone Wire 13AWG-Black (30m)	1
792	Low Profile Caged Bullet Plug 4mm x 14mm (2)	1
793	Low Profile Caged Bullet Plug 4mm x 14mm (10)	1
794	Low Profile Caged Bullet Plug 5mm x 14mm (2)	1
795	Low Profile Caged Bullet Plug 5mm x 14mm (10)	1

:: Fueling Supplies (RC8T3.1 Nitro)

1738	FT Glow Starter	2
1747	Nitro Fuel Bottle Pro, 500cc	1
1751	FT Compact Starter Box	1
7724	Fuel Line 15"	1
7725	Fuel Line 3'	1

:: MyLaps Transponders

MLP10R078	MyLaps Hybrid (2-wire) Transponder	1
MLP10R120	MyLaps RC4 (3-wire) Transponder	1
MLP40R222	MyLaps Transponder Holder	1

:: Apparel / Promotional**TEE SHIRTS**

SP11*	2016 Worlds T-shirt, blue, (S, M, L, XL-5XL)	1
SP12*	2016 Worlds T-shirt, black, (S, M, L, XL-5XL)	1
SP113*	AE Worlds Car Retro T-Shirt, (S, M, L, XL-3XL)	1
SP114*	Circuit T-Shirt - Black (S, M, L, XL-3XL)	1
SP120*	AE 3/4 Sleeve Tee, Gray (S, M, L, XL-3XL)	1
SP121*	Kids AE Speed Tee, Black (S, M, L)	1
SP122*	Ladies AE Speed Tee, Black (S, M, L, XL)	1
SP123*	Mens AE Speed Tee, Navy (S, M, L, XL-5XL)	1
SP124*	AE 2017 Worlds Tee, Black (S, M, L, XL-3XL)	1
SP140*	Reedy Heritage Tee, Black (S, M, L, XL-5XL)	1

HOODIES/JACKETS

SP13*	AE Lite Jacket - Black - (S, M, L, XL, 2XL)	1
SP71*	AE Winter Jacket - Black (S, M, L, XL, 2XL)	1
SP111*	Reedy W15 Sweatshirt - Black (S, M, L, XL-3XL)	1
SP141*	Reedy R Hoodie - Black (S, M, L, XL-3XL)	1

HATS

SP20	AE Patch Trucker Hat	1
SP38	Reedy Trucker Hat	1
SP406	2017 Reedy Power Hat, Black	1
SP407	2017 Team Associated Hat, Gray	1
SP408	AE Worlds Hat	1
SP421S	AE 2012 Hat, Black, Flat Bill, S/M	1
SP421L	AE 2012 Hat, Black, Flat Bill, L/XL	1
SP422S	AE 2012 Hat, Black, Curved Bill, S/M	1
SP422L	AE 2012 Hat, Black, Curved Bill, L/XL	1
SP423S	AE 2012 Hat, White, Flat Bill, S/M	1
SP423L	AE 2012 Hat, White, Flat Bill, L/XL	1
SP424S	AE 2012 Hat, White, Curved Bill, S/M	1
SP424L	AE 2012 Hat, White, Curved Bill, L/XL	1

BANNERS/MATS CARRIERS

SP29	Team Associated Countertop/Setup Mat	1
SP30	Team Associated Pit Mat	1
SP31	Reedy Countertop/Setup Mat	1
SP115	Reedy Circuit Cloth Banner	1
SP425	FT Fluid Carrier	1
SP426	Team Associated Countertop / Setup Mat	1
SP427	Reedy Countertop / Setup Mat	1
726	Reedy 2016 Sticker Sheet	1
110684	Team Associated Track Banner (Black)	1
110685	Team Associated Cloth Banner	1

:: Lubes / Adhesives / Decals / Misc.

1105	FT Green Slime Shock Lube	1
1596	FT Locking Adhesive	1
1597	FT Tire Adhesive	1
6588	Black Grease - 4cc	1
6591	Diff Lube - 4cc	1
6636	Silicone Grease - 4cc	1
6727	Servo Tape	2
7710	FT Foam Prefilter Treatment, 1 oz.	1
9787	FT Chassis Protective Sheet	1
81324	RC8T3 Pro Line Body	1
81325	RC8T3/T3e Decal Sheet	1

1596

**:: Tools**

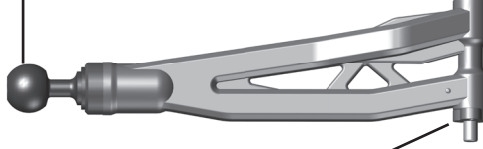
1111	FT Turnbuckle Wrench	1
1112	FT 4mm Turnbuckle Wrench	1
1113	12mm Big Bore Shock Tool	1
1114	FT Dual Turnbuckle Wrench	1
1449	Off Road Ride Height Gauge	1
1452	FT TC Ride Height Gauge	1
1498	FT Universal Tire Balancer	1
1541	FT Hex Driver Set, (7 pcs)	1
1545	FT 5/64" Blue Hex Driver	1
1555	FT Clutch Gauge, 4 Shoe	1
1568	FT 5.5mm Short Nut Driver	1
1569	FT 7mm Nut Driver, T-Handle	1
1570	FT 5.5mm Short Nut Driver	1
1571	FT 1:8 Wheel Nut Wrench, 17mm Hex	1
1579	FT Ball Cup Wrench	1
1590	FT 3/32" Gold Ball Hex Driver	1
1592	FT Ball Hex Driver Set, (3 pcs)	1
1655	FT 8-Piece 1/4" Hex Drive Set	1
1656	FT 1/4" Hex Drive Handle, without tips	1
1657	FT 1/4" Hex Drive .050" Tip	1
1658	FT 1/4" Hex Drive 1/16" Tip	1
1659	FT 1/4" Hex Drive 5/64" - 2.0mm Tip	1
1660	FT 1/4" Hex Drive 3/32" Tip	1
1661	FT 1/4" Hex Drive 1.5mm Tip	1
1662	FT 1/4" Hex Drive 2.5mm Tip	1
1663	FT 1/4" Hex Drive 3/16" Nut Driver Tip	1
1664	FT 1/4" Hex Drive 1/4" Nut Driver Tip	1
1665	FT 1/4" Hex Drive 11/32" Nut Driver Tip	1
1666	FT 1/4" Hex Drive 5.5mm Nut Driver Tip	1
1667	FT 1/4" Hex Drive 7.0mm Nut Driver Tip	1
1668	FT 1/4" Hex Drive 8.0mm Nut Driver Tip	1
1669	FT 1/4" Hex Drive 5/64" - 2.0mm Ball End Tip	1
1670	FT 1/4" Hex Drive 3/32" Ball End Tip	1
1671	FT 1/4" Hex Drive Standard Screwdriver Tip	1
1672	FT 1/4" Hex Drive Phillips Screwdriver Tip	1
1673	FT 1/4" Hex Drive 2.5mm Ball End Tip	1
1674	FT 1/4" 5 Piece Power Tool Tips Set (5/64-2.0mm, 1.5mm, 2.5mm, 5/64"- 2.0mm ball, 2.5mm ball)	1
1675	FT Shock Shaft Pliers	1
1679	FT T-Handle Ratchet Driver	1
1719	FT Camber + Track Width Tool	1
1737	FT Body Scissors	1
3718	12 Inch Nylon Wire Ties	12
3719	6 Inch Nylon Wire Ties	12
3720	8 Inch Nylon Wire Ties	12
3987	FT Droop Gauge	1
7709	4 Inch Nylon Wire Ties	12

* Use part number plus the desired size when ordering!

Front Suspension:

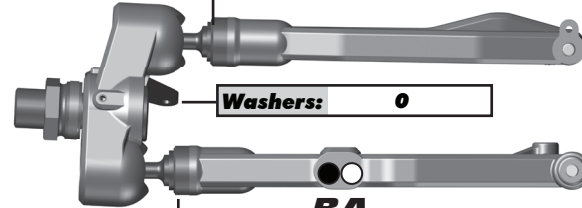
Ride Height:	37mm
Camber:	
Toe:	+2 deg Tierod+ 62mm
Anti-Roll Bar	
Size:	2.3 Black
Gap:	1mm
Ackerman	
Notes:	1 2 3 4 5
Drive Shaft:	CVA: <input checked="" type="checkbox"/> Universals: <input type="checkbox"/>
Chassis Brace:	Short: <input type="checkbox"/> Long: <input checked="" type="checkbox"/>
Hex:	Kit
Notes:	+2 Steering Arm Plate

Upper Ball Type: Steel



Caster Shim: 0

Upper Ball Shim: 1.05mm

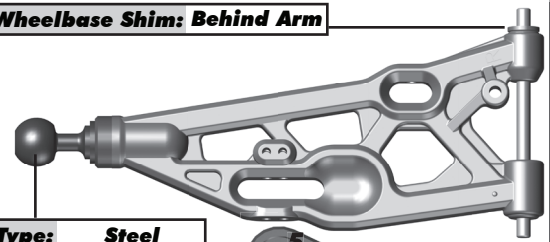


Washers: 0

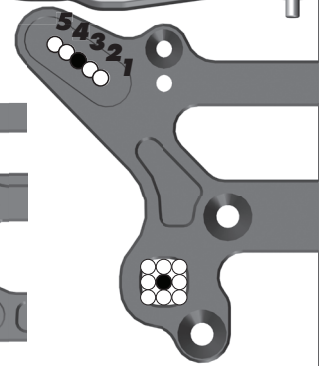
BA

Lower Ball Shim: 0.14mm

Wheelbase Shim: Behind Arm



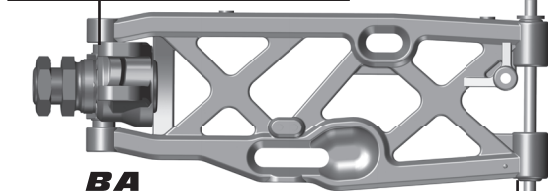
Lower Ball Type: Steel



Rear Suspension:

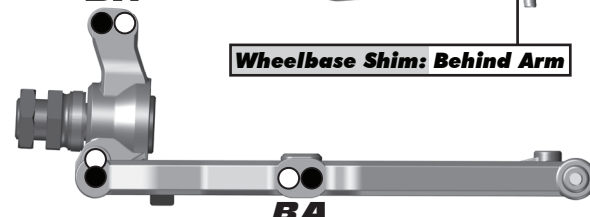
Ride Height:	41mm
Camber:	-2
Anti-Roll Bar	
Size:	2.7 Blue
Gap:	1mm
Drive Shaft:	
CVA: <input checked="" type="checkbox"/> Universals: <input type="checkbox"/>	
Chassis Brace:	
Short: <input type="checkbox"/> Long: <input checked="" type="checkbox"/>	
Hex:	Kit
Notes:	

Hub Shim: Middle

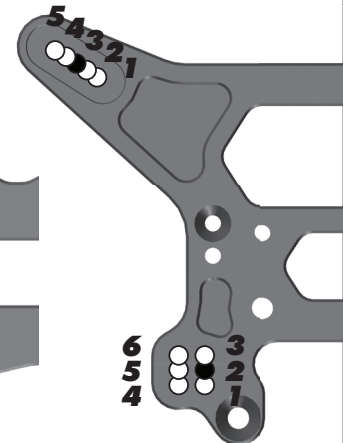


BA

Wheelbase Shim: Behind Arm



BA



Electronics:

Radio:	
Servo:	
EPA: Throttle: _____ % Brake: _____ %	
EXPO: Throttle: _____ % Brake: _____ %	
ESC:	
Motor:	
Battery:	
Notes:	

Differential:

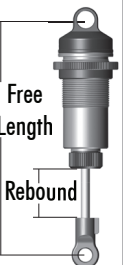
	Fluid	Gear Set	Planet O-Rings
Front:	10k	HTC	0
Center:	10k	HTC	0
Rear:	5k	HTC	0

Gearing:

Spur Gear: 46T	Pinion: 13T
Notes:	

Shocks:

	Front	Rear
Piston:	6x1.3 Flat	6x1.3 Flat
Fluid:	40wt	35wt
Cap:	Bleeder	Bleeder
Rebound:	0	0
Spring:	Blue	Blue
Free Length:	108	128
Notes:		



Track Info:

Size:	Small <input type="checkbox"/> Medium <input type="checkbox"/> Large <input type="checkbox"/> Extra Large <input type="checkbox"/>
Surface:	Dirt <input type="checkbox"/> Carpet <input type="checkbox"/> Astro turf <input type="checkbox"/> Multi Surface <input type="checkbox"/>
Traction:	Low <input type="checkbox"/> Medium <input type="checkbox"/> High <input type="checkbox"/> Very High <input type="checkbox"/>
Moisture:	Dry <input type="checkbox"/> Damp <input type="checkbox"/> Wet <input type="checkbox"/>
Condition:	Indoor <input type="checkbox"/> Outdoor <input type="checkbox"/> Dusty <input type="checkbox"/> Hard Packed <input type="checkbox"/> Bumpy <input type="checkbox"/> Grooved <input type="checkbox"/> Smooth <input type="checkbox"/> Loamy <input type="checkbox"/>
Temperature:	Ambient: _____ Track: _____
Notes:	

Tires:

Front Tires:	
Front Compound:	
Front Insert:	
Rear Tires:	
Rear Compound:	
Rear Insert:	
Wheel (F/R):	
Notes:	

Body, Wings:

Body:	Kit (Proline)
Wing:	Kit
Wing Height:	High: <input type="checkbox"/> Low: <input checked="" type="checkbox"/>
Gap to Tower:	0
Weight:	
Total Vehicle Weight:	
Notes:	

Vehicle Comments:

Notes:

Front Suspension:

Ride Height: _____

Camber: _____

Toe: _____

Anti-Roll Bar

Size: _____

Gap: _____

Ackerman

Notes: _____

1
2
3
4
5

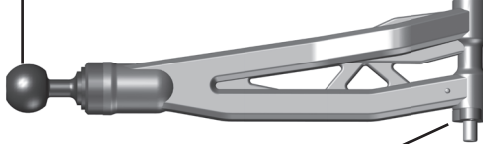
Drive Shaft: CVAs: Universals:

Chassis Brace: Short: Long:

Hex: _____

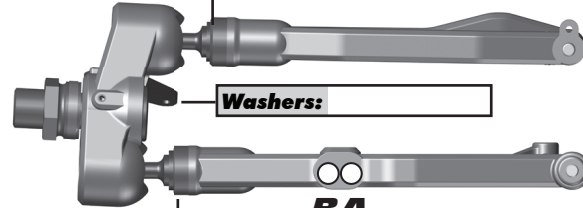
Notes: _____

Upper Ball Type: _____



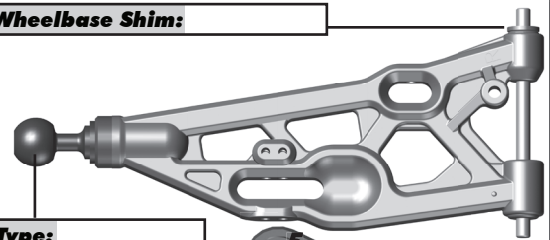
Caster Shim: _____

Upper Ball Shim: _____



Lower Ball Shim: _____

Wheelbase Shim: _____



Lower Ball Type: _____

Upper Arm Mount: _____

Arm Mount A: _____

Arm Mount B: _____

Rear Suspension:

Ride Height: _____

Camber: _____

Anti-Roll Bar

Size: _____

Gap: _____

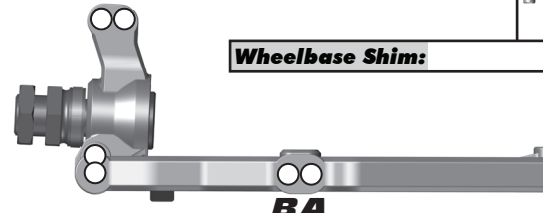
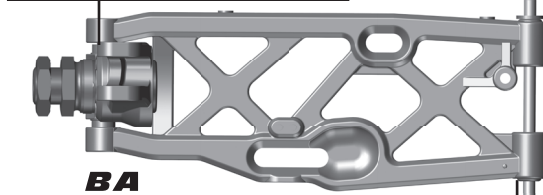
Drive Shaft: CVAs: Universals:

Chassis Brace: Short: Long:

Hex: _____

Notes: _____

Hub Shim: _____



Wheelbase Shim: _____

Arm Mount C: _____

Arm Mount D: _____

Electronics:

Radio: _____

Servo: _____

EPA: Throttle: _____ % Brake: _____ %

EXPO: Throttle: _____ % Brake: _____ %

ESC: _____

Motor: _____

Battery: _____

Notes: _____

Differential:

	Fluid	Gear Set	Planet O-Rings
Front:			
Center:			
Rear:			

Gearing:

Spur Gear: _____ **Pinion:** _____

Notes: _____

Shocks:

	Front	Rear
Piston:		
Fluid:		
Cap:		
Rebound:		
Spring:		
Free Length:		

Notes: _____



Track Info:

Size: Small Medium Large Extra Large

Surface: Dirt Carpet AstroTurf Multi Surface

Traction: Low Medium High Very High

Moisture: Dry Damp Wet

Condition: Indoor Outdoor Dusty Hard Packed
Bumpy Grooved Smooth Loamy

Temperature: Ambient: _____ Track: _____

Notes: _____

Tires:

Front Tires: _____

Front Compound: _____

Front Insert: _____

Rear Tires: _____

Rear Compound: _____

Rear Insert: _____

Wheel (F/R): _____

Notes: _____

Body, Wings:

Body: _____

Wing: _____

Wing Height: High: Low:

Gap to Tower: _____

Weight:

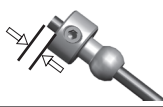

Total Vehicle Weight: _____

Notes: _____

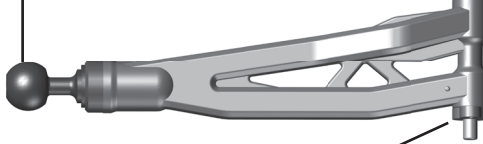
Vehicle Comments:

Notes: _____

Front Suspension:

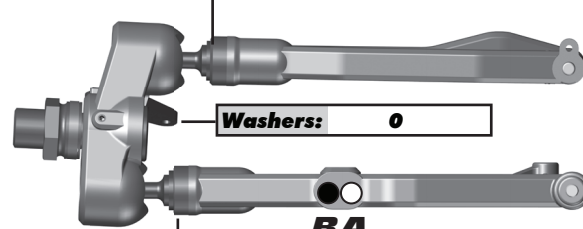
Ride Height:	37mm
Camber:	
Toe:	+2 deg Tierod+ 62mm
Anti-Roll Bar	
Size:	2.3 Black
Gap:	1mm
Ackerman	
Notes:	1 2 3 4 5
Drive Shaft:	CVAs: <input checked="" type="checkbox"/> Universals: <input type="checkbox"/>
Chassis Brace:	Short: <input type="checkbox"/> Long: <input checked="" type="checkbox"/>
Hex:	Kit
Notes:	+2 Steering Arm Plate

Upper Ball Type: Steel



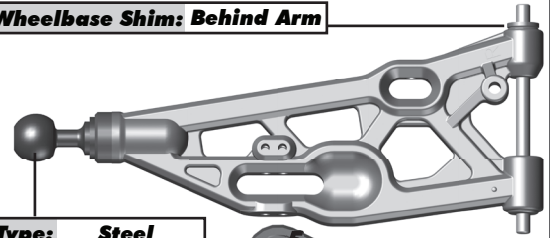
Caster Shim: 0

Upper Ball Shim: 1.05mm

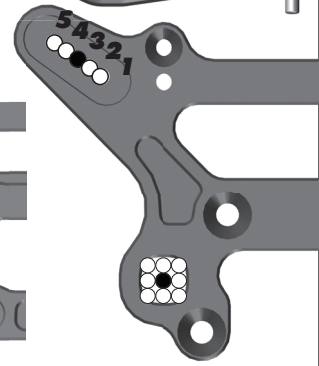
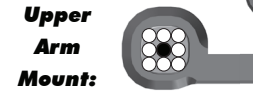


Lower Ball Shim: 0.14mm

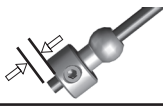
Wheelbase Shim: Behind Arm



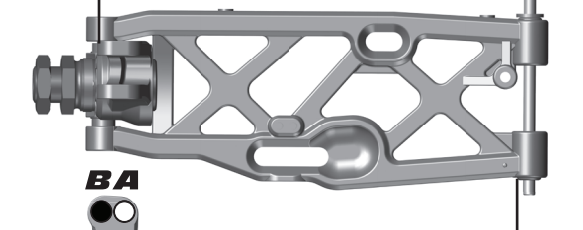
Lower Ball Type: Steel



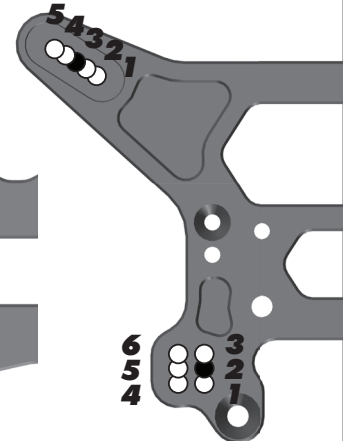
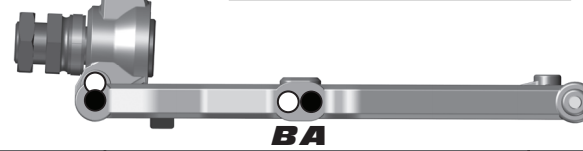
Rear Suspension:

Ride Height:	41mm
Camber:	-2
Anti-Roll Bar	
Size:	2.7 Blue
Gap:	1mm
Drive Shaft:	CVAs: <input checked="" type="checkbox"/> Universals: <input type="checkbox"/>
Chassis Brace:	Short: <input type="checkbox"/> Long: <input checked="" type="checkbox"/>
Hex:	Kit
Notes:	

Hub Shim: Middle



Wheelbase Shim: Behind Arm



Electronics and Engine:

Radio:		
Receiver Battery:		
Throttle Servo:		
Steering Servo:		
EPA: Throttle:	% Brake:	%
Brake Bias:	D/R:	%
Engine:	Temp:	
Muffler:	Fuel:	
Restrictor:	Glow Plug:	

Differential:

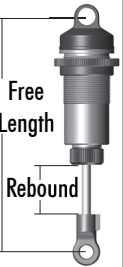
	Fluid	Gear Set	Planet O-Rings
Front:	10k	HTC	0
Center:	10k	HTC	0
Rear:	5k	HTC	0

Clutch and Gearing:

Spur Gear:		Bell:	
Shoes:	2 aluminum, 2 composite		
Springs:	green-alum., black comp.		

Shocks:

	Front	Rear
Piston:	6x1.3 Flat	6x1.3 Flat
Fluid:	40wt	35wt
Cap:	Bleeder	Bleeder
Rebound:	0	0
Spring:	Blue	Blue
Free Length:	108	128
Notes:		



Track Info:

Size:	Small <input type="checkbox"/> Medium <input type="checkbox"/> Large <input type="checkbox"/> Extra Large <input type="checkbox"/>
Surface:	Dirt <input type="checkbox"/> Carpet <input type="checkbox"/> Astro turf <input type="checkbox"/> Multi Surface <input type="checkbox"/>
Traction:	Low <input type="checkbox"/> Medium <input type="checkbox"/> High <input type="checkbox"/> Very High <input type="checkbox"/>
Moisture:	Dry <input type="checkbox"/> Damp <input type="checkbox"/> Wet <input type="checkbox"/>
Condition:	Indoor <input type="checkbox"/> Outdoor <input type="checkbox"/> Dusty <input type="checkbox"/> Hard Packed <input type="checkbox"/> Bumpy <input type="checkbox"/> Grooved <input type="checkbox"/> Smooth <input type="checkbox"/> Loamy <input type="checkbox"/>
Temperature:	Ambient: _____ Track: _____
Notes:	

Tires:

Front Tires:	
Front Compound:	
Front Insert:	
Rear Tires:	
Rear Compound:	
Rear Insert:	
Wheel (F/R):	
Notes:	

Body, Wings:

Body:	Kit (Proline)
Wing:	Kit
Wing Height:	High: <input type="checkbox"/> Low: <input checked="" type="checkbox"/>
Gap to Tower:	0
Weight:	
Total Vehicle Weight:	
Notes:	

Vehicle Comments:

Notes: _____

Front Suspension:

Ride Height: _____

Camber: _____

Toe: _____

Anti-Roll Bar

Size: _____

Gap: _____

Ackerman

Notes: _____

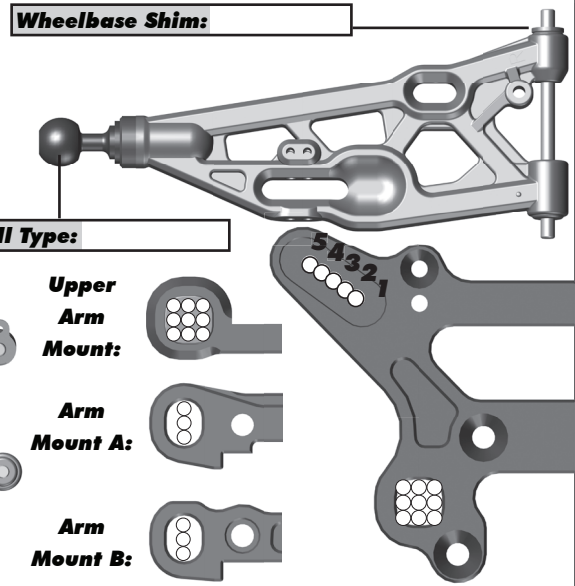
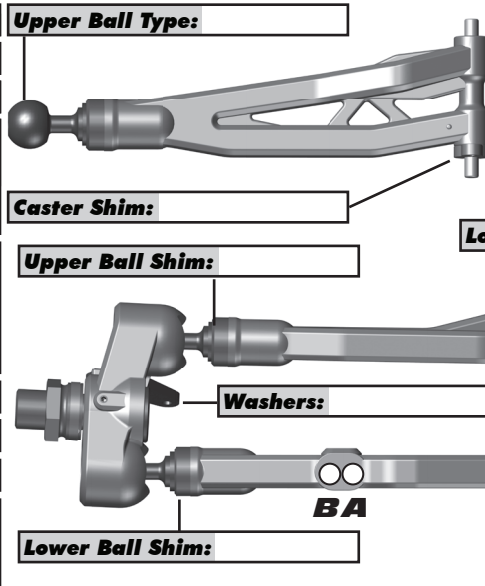
1
2
3
4
5

Drive Shaft: CVAs: Universals:

Chassis Brace: Short: Long:

Hex: _____

Notes: _____



Rear Suspension:

Ride Height: _____

Camber: _____

Anti-Roll Bar

Size: _____

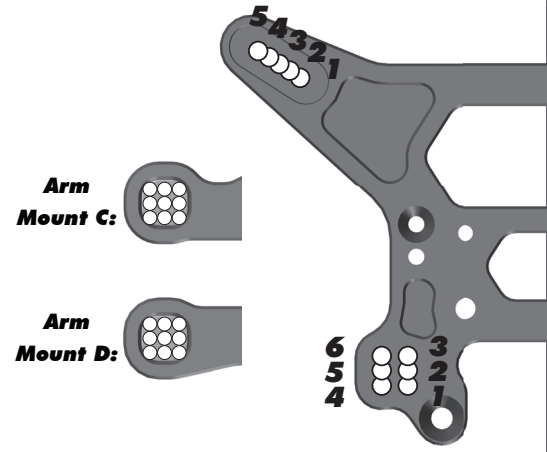
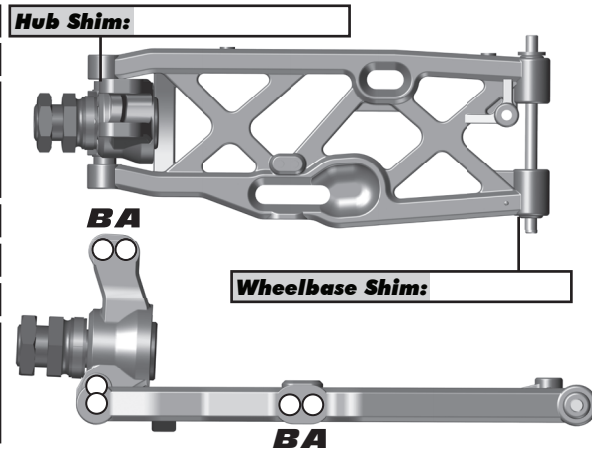
Gap: _____

Drive Shaft: CVAs: Universals:

Chassis Brace: Short: Long:

Hex: _____

Notes: _____



Electronics and Engine:

Radio: _____

Receiver Battery: _____

Throttle Servo: _____

Steering Servo: _____

EPA: Throttle: _____ % Brake: _____ %

Brake Bias: _____ **D/R:** _____ %

Engine: _____ **Temp:** _____

Muffler: _____ **Fuel:** _____

Restrictor: _____ **Glow Plug:** _____

Differential:

	Fluid	Gear Set	Planet O-Rings
Front:			
Center:			
Rear:			

Clutch and Gearing:

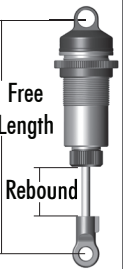
Spur Gear: _____ **Bell:** _____

Shoes: _____

Springs: _____

Shocks:

	Front	Rear
Piston:		
Fluid:		
Cap:		
Rebound:		
Spring:		
Free Length:		
Notes:		



Track Info:

Size: Small Medium Large Extra Large

Surface: Dirt Carpet AstroTurf Multi Surface

Traction: Low Medium High Very High

Moisture: Dry Damp Wet

Condition: Indoor Outdoor Dusty Hard Packed
 Bumpy Grooved Smooth Loamy

Temperature: Ambient: _____ Track: _____

Notes: _____

Tires:

Front Tires: _____

Front Compound: _____

Front Insert: _____

Rear Tires: _____

Rear Compound: _____

Rear Insert: _____

Wheel (F/R): _____

Notes: _____

Body, Wing:

Body: _____

Wing: _____

Wing Height: High: Low:

Gap to Tower: _____

Weight: _____

Total Vehicle Weight: _____

Notes: _____

Vehicle Comments:

Notes: _____



**Associated Electrics, Inc.
26021 Commercentre Dr.
Lake Forest, CA 92630 USA**

<http://www.RC10.com>

https://twitter.com/Team_Associated

<https://www.instagram.com/teamassociatedrc/>

<https://www.facebook.com/TeamAssociated/>

call: (949) 544-7500 - fax: (949) 544-7501

**Check out the following web sites for all of our kits,
current products, new releases, setup help, tips, and racing info!
www.TeamAssociated.com - www.RC10.com**